

yer
20/30
yers

ADITEK[®]
ORTHODONTICS

SINCE
1990

PRODUCT CATALOG





HEADQUARTER

Since 1990 Aditek has innovated the world of orthodontic market with high-tech products and processes. Today the company is recognized as one of the leading orthodontic products manufacturer worldwide, exporting a significant part of its production to all continents.

Established in Cravinhos, São Paulo – Brazil, the company has 5.000 m² of state of the art manufacturing facility.

Aditek offers a complete range of orthodontic solutions. From brackets, archwires, bonds and buccal tubes, our products carry all international quality certifications standards based on GMO Anvisa, CE, ISO 13485 and FDA.

By prioritizing researches and product development of technically advanced products, Aditek has conquered the orthodontic market. From patented self-ligating bracket systems to digital orthodontics we have the precision engineered tools you need to achieve success. Recognition and trust acquired in more than 26 years of hard work and commitment are consequences of our goal: **to generate value for life quality development and innovative solutions in the health care business.**



TOOLING INDUSTRY



CASTING AND SINTERING

BRACKETS

6

SELF-LIGATING

PASSIVE

INTERACTIVE

HYBRID

BI DIMENSIONAL HYBRID SELF-LIGATING

BI DIMENSIONAL PASSIVE / INTERACTIVE

AESTHETIC

AESTHETIC

METALLIC

TUBES

40

BONDABLE

WELDABLE

ACCESSORIES

43

BALL HOOK

STOP

ARCHWIRES

44

METALLIC

NITI/CONTOUR NITI/CUPER NITI/BIO SLIDE

STAINLESS STEEL/ BRAIDED/RETRACTION

TITANIUM MOLYBDENUM

AESTHETIC

NITI/CONTOUR NITI/STAINLESS STEEL

EXTRAORAL

WIRES

55

STAINLESS STEEL**TWIST FLEX****STRAIGHT LENGTH STEEL / ELGILOY / LIGATURE WIRE SPOOL****TITANIUM MOLYBDENUM****ELASTOMERICS**

56

ELASTIC CHAIN - ELASTIK**INTRA ORAL ELASTIC****SEPARATOR ELASTIC****ELASTIC LIGATURE - STICK TIE****AUXILIARY**

58

BITE TURBO**NITI SPRING****INSTRUMENTS**

59

TWEEZER**EXPLORER****ADHESIVES**

60

RESIN**BAND CEMENT****MOLAR BANDS**

61

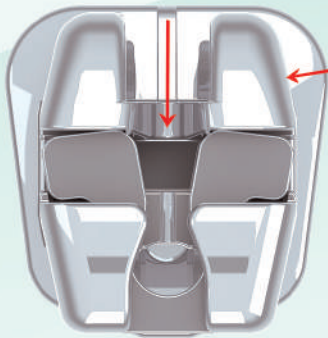
EasyClip⁺®

2nd generation

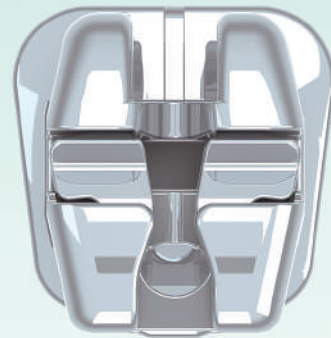
Dual Control Self-Ligating System

Passive / Interactive

"V" CHANNEL
TO FACILITATE
THE POSITIONING



ROUND
EDGES



Passive

Interactive



CLIP WITH STRAIGHT TABS

NiTi CLIP NON
CONVERTIBLE

CLIP WITH CURVED TABS



PASSIVE
.014" / .016" / .018"



FIRST WIRE TO INTERACT
.016" X .022"



INTERACTIVE
.019" X .025"



- THE LOWEST PROFILE SELF-LIGATING IN THE MARKET
- SINTERED BRACKET WITH MIM TECHNOLOGY
- HIGH ADHESIVE RESISTANCE



M-D COVERAGE BY THE CLIP
TOTAL ROTATIONAL CONTROL



PASSIVE

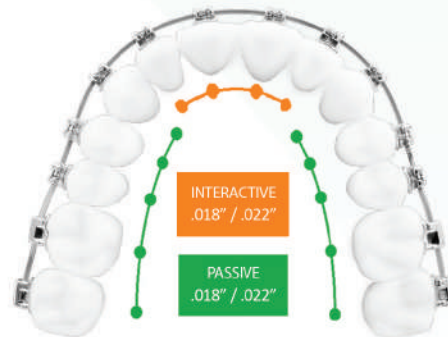
Available Prescriptions:
DAMON *LOW TORQUE (.022")
DAMON *STANDARD (.022")
DAMON *SUPER TORQUE (.022")
ROTH (.018" and .022")
MBT (.018" and .022")
JORGE RODRIGUES (.018" and .022")



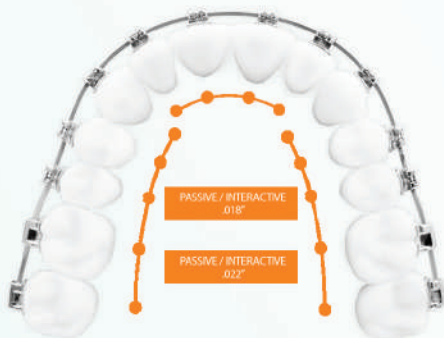
INTERACTIVE

**ONE SYSTEM.
MULTIPLE APPLICATIONS.
IMPROVED CLINICAL MANAGEMENT.
FASTER RESULTS.**

**CUSTOM APPLIANCE PRESCRIPTIONS.
INDIVIDUALIZED FORCE SYSTEM.
TOTAL INTEGRATION.**

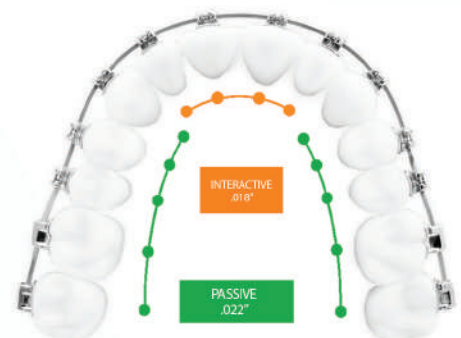


HYBRID



BI DIMENSIONAL
PASSIVE / INTERACTIVE

Available Prescriptions:
ROTH
MBT



BI DIMENSIONAL HYBRID
SELF-LIGATING

Self-Ligating Bracket System
US Patent 8,414,292
Dr. Alexandre Gallo Lopes



For more
information visit
our website

*Damon is a trademark of ORMCO Corporation.

DAMON* STANDARD PRESCRIPTION

Slot	Reference	Hooks on 3, 4, 5
.022" x .028"	05.21.1290	20 brackets

Variation of the kits: 05.21.1291 - Hooks on 3 .022"
05.21.1206 - No Hooks .022"

	3 mm	3 mm	3 mm	2,7 mm	2,9 mm	2,9 mm	2,7 mm	3 mm	3 mm	3 mm
length	3 mm	3 mm	3 mm	2,7 mm	2,9 mm	2,9 mm	2,7 mm	3 mm	3 mm	3 mm
torque	-11°	-11°	7°	6°	15°	15°	6°	7°	-11°	-11°
angle	2°	2°	5°	9°	5°	5°	9°	5°	2°	2°
Off	2°	2°	4°	0°	0°	0°	0°	4°	2°	2°
In-out	0,25 mm	0,25 mm	0,25 mm	0,65 mm	0,50 mm	0,50 mm	0,65 mm	0,25 mm	0,25mm	0,25 mm

Replacement

Slot	.022" x .028"	05.21.1514	05.21.1514	05.21.1213	05.21.1212	05.21.1211	05.21.1221	05.21.1222	05.21.1223	05.21.1524	05.21.1524
	quantity	5	5	5	5	5	5	5	5	5	5
		5	4	3	2	1	1	2	3	4	5
		15	14	13	12	11	21	22	23	24	25
Upper											
Lower											
		5	4	3	2	1	1	2	3	4	5
length	3 mm	3 mm	2,9 mm	2,7 mm	2,7 mm	2,7 mm	2,7 mm	2,7 mm	2,9 mm	3 mm	3 mm
torque	-17°	-12°	7°	-3°	-3°	-3°	-3°	-3°	7°	-12°	-17°
angle	4°	4°	5°	4°	2°	2°	4°	5°	4°	4°	4°
Off	4°	4°	2°	0°	0°	0°	0°	2°	4°	4°	4°
In-out	0,15 mm	0,15 mm	0,20 mm	0,45 mm	0,45 mm	0,45 mm	0,45 mm	0,45 mm	0,20 mm	0,15 mm	0,15 mm

Replacement

Slot	.022" x .028"	05.21.1545	05.21.1644	05.21.1243	05.21.2042	05.21.2041	05.21.2031	05.21.2032	05.21.1233	05.21.1634	05.21.1535
	quantity	5	5	5	5	5	5	5	5	5	5

DAMON* LOW TORQUE PRESCRIPTION

Slot	Reference	Hooks on 3, 4, 5
.022" x .028"	05.21.1090	20 brackets

Variation of the kits: 05.21.1091 - Hooks on 3 .022"
05.21.1006 - No Hooks .022"

	3 mm	3 mm	3 mm	2,7 mm	2,9 mm	2,9 mm	2,7 mm	3 mm	3 mm	3 mm
length	3 mm	3 mm	3 mm	2,7 mm	2,9 mm	2,9 mm	2,7 mm	3 mm	3 mm	3 mm
torque	-11°	-11°	-9°	-5°	2°	2°	-5°	-9°	-11°	-11°
angle	2°	2°	5°	9°	5°	5°	9°	5°	2°	2°
Off	2°	2°	4°	0°	0°	0°	0°	4°	2°	2°
In-out	0,25 mm	0,25 mm	0,25 mm	0,65 mm	0,50 mm	0,50 mm	0,65 mm	0,25 mm	0,25mm	0,25 mm

Replacement

Slot	.022" x .028"	05.21.1514	05.21.1514	05.21.1013	05.21.1012	05.21.1011	05.21.1021	05.21.1022	05.21.1023	05.21.1524	05.21.1524
	quantity	5	5	5	5	5	5	5	5	5	5
		5	4	3	2	1	1	2	3	4	5
		15	14	13	12	11	21	22	23	24	25
Upper											
Lower											
		5	4	3	2	1	1	2	3	4	5
length	3 mm	3 mm	2,9 mm	2,7 mm	2,7 mm	2,7 mm	2,7 mm	2,7 mm	2,9 mm	3 mm	3 mm
torque	-17°	-12°	0°	-11°	-11°	-11°	-11°	-11°	0°	-12°	-17°
angle	4°	4°	5°	4°	2°	2°	4°	5°	4°	4°	4°
Off	4°	4°	2°	0°	0°	0°	0°	2°	4°	4°	4°
In-out	0,15 mm	0,15 mm	0,20 mm	0,45 mm	0,45 mm	0,45 mm	0,45 mm	0,45 mm	0,20 mm	0,15 mm	0,15 mm

Reposição

Slot	.022" x .028"	05.21.1545	05.21.1644	05.21.1043	05.21.1042	05.21.1041	05.21.1031	05.21.1032	05.21.1033	05.21.1634	05.21.1535
	quantity	5	5	5	5	5	5	5	5	5	5

PASSIVE SELF-LIGATING

DAMON* SUPER TORQUE PRESCRIPTION



Slot	Reference	Hooks on 3, 4, 5					Variation of the kits:				
.022" x .028"	05.21.1190	20 brackets					05.21.1191 - Hooks on 3 .022" 05.21.1106 - No Hooks .022"				
length	3 mm	3 mm	3 mm	2,7 mm	2,9 mm	2,9 mm	2,7 mm	3 mm	3 mm	3 mm	
torque	-11°	-11°	11°	13°	22°	22°	13°	11°	-11°	-11°	
angle	2°	2°	5°	9°	5°	5°	9°	5°	2°	2°	
Off	2°	2°	4°	0°	0°	0°	0°	4°	2°	2°	
In-out	0,25 mm	0,25mm	0,25 mm	0,65 mm	0,50 mm	0,50 mm	0,65 mm	0,25 mm	0,25 mm	0,25 mm	

Replacement

Slot	.022" x .028"	05.21.1514	05.21.1514	05.21.1113	05.21.1112	05.21.1111	05.21.1121	05.21.1122	05.21.1123	05.21.1524	05.21.1524
quantity		5	5	5	5	5	5	5	5	5	5
		5	4	3	2	1	1	2	3	4	5
		15	14	13	12	11	21	22	23	24	25
Upper											
Lower											
		45	44	43	42	41	31	32	33	34	35
		5	4	3	2	1	1	2	3	4	5
length	3 mm	3 mm	2,9 mm	2,7 mm	2,7 mm	2,7 mm	2,7 mm	2,9 mm	3 mm	3 mm	
torque	-17°	-5°	13°	-3°	-3°	-3°	-3°	13°	-5°	-17°	
angle	4°	4°	5°	4°	2°	2°	4°	5°	4°	4°	
Off	4°	4°	2°	0°	0°	0°	0°	2°	4°	4°	
In-out	0,15 mm	0,15 mm	0,20 mm	0,45 mm	0,45 mm	0,45 mm	0,45 mm	0,20 mm	0,15 mm	0,15 mm	

Replacement

Slot	.022" x .028"	05.21.1545	05.21.1144	05.21.1143	05.21.2042	05.21.2041	05.21.2031	05.21.2032	05.21.1133	05.21.1134	05.21.1535
quantity		5	5	5	5	5	5	5	5	5	5



ROTH PRESCRIPTION

Slot	Reference	Hooks on 3, 4, 5					Variation of the kits:				
.018" x .028"	05.20.0390	20 brackets					05.20.0391 - Hooks on 3 .018" 05.20.0306 - No Hooks .018" 05.21.0391 - Hooks on 3 .022" 05.21.0306 - No Hooks .022"				
.022" x .028"	05.21.0390	20 brackets									
length	3 mm	3 mm	3 mm	2,7 mm	2,9 mm	2,9 mm	2,7 mm	3 mm	3 mm	3 mm	
torque	-7°	-7°	0°	8°	12°	12°	8°	0°	-7°	-7°	
angle	0°	0°	11°	9°	5°	5°	9°	11°	0°	0°	
Off	2°	2°	4°	0°	0°	0°	0°	4°	2°	2°	
In-out	0,25 mm	0,25 mm	0,25 mm	0,65 mm	0,50 mm	0,50 mm	0,65 mm	0,25 mm	0,25mm	0,25 mm	

Replacement

Slot	.018" x .028"	05.20.3814	05.20.3814	05.20.0313	05.20.0312	05.20.0311	05.20.0321	05.20.0322	05.20.0323	05.20.3824	05.20.3824
quantity		5	5	5	5	5	5	5	5	5	5
		5	4	3	2	1	1	2	3	4	5
		15	14	13	12	11	21	22	23	24	25
Upper											
Lower											
		45	44	43	42	41	31	32	33	34	35
		5	4	3	2	1	1	2	3	4	5
length	3 mm	3 mm	2,9 mm	2,7 mm	2,7 mm	2,7 mm	2,7 mm	2,9 mm	3 mm	3 mm	
torque	-22°	-17°	-11°	0°	0°	0°	0°	-11°	-17°	-22°	
angle	0°	0°	5°	0°	0°	0°	0°	5°	0°	0°	
Off	4°	4°	2°	0°	0°	0°	0°	2°	4°	4°	
In-out	0,15 mm	0,15 mm	0,20 mm	0,45 mm	0,45 mm	0,45 mm	0,45 mm	0,20 mm	0,15 mm	0,15 mm	

Replacement

Slot	.018" x .028"	05.20.0345	05.20.0344	05.20.0343	05.20.0350	05.20.0350	05.20.0350	05.20.0350	05.20.0333	05.20.0334	05.20.0335
quantity		5	5	5	5	5	5	5	5	5	5

*Damon is a registered of Ormco Corporation.

MBT PRESCRIPTION



Slot	Reference	Hooks on 3, 4, 5	Variation of the kits:								
.018" x .028"	05.20.0890	20 brackets	05.20.0891 - Hooks on 3 .018"								
.022" x .028"	05.21.0890	20 brackets	05.20.0806 - No Hooks .018"								
			05.21.0891 - Hooks on 3 .022"								
			05.21.0806 - No Hooks .022"								
length	3 mm	3 mm	3 mm	2,7 mm	2,9 mm	2,9 mm	2,7 mm	3 mm	3 mm	3 mm	
torque	-7°	-7°	-7°	10°	17°	17°	10°	-7°	-7°	-7°	
angle	0°	0°	8°	8°	4°	4°	8°	8°	0°	0°	
Off	2°	2°	4°	0°	0°	-0°	0°	4°	2°	2°	
In-out	0,25 mm	0,25 mm	0,25 mm	0,65 mm	0,50 mm	0,50 mm	0,65 mm	0,25 mm	0,25 mm	0,25 mm	

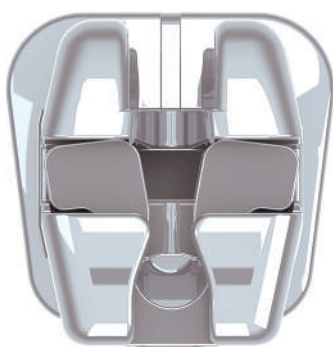
Replacement

Slot	.018" x .028"	05.20.3814	05.20.3814	05.20.0813	05.20.0812	05.20.0811	05.20.0821	05.20.0822	05.20.0823	05.20.3824	05.20.3824
	.022" x .028"	05.21.3814	05.21.3814	05.21.0813	05.21.0812	05.21.0811	05.21.0821	05.21.0822	05.21.0823	05.21.3824	05.21.3824
quantity	5	5	5	5	5	5	5	5	5	5	5
	5	4	3	2	1	1	2	3	4	5	
	15	14	13	12	11	21	22	23	24	25	
Upper											
Lower											
	45	44	43	42	41	31	32	33	34	35	
	5	4	3	2	1	1	2	3	4	5	
length	3 mm	3 mm	2,9 mm	2,7 mm	2,7 mm	2,7 mm	2,7 mm	2,9 mm	3 mm	3 mm	
torque	-17°	-12°	-6°	-6°	-6°	-6°	-6°	-6°	-12°	-17°	
angle	2°	2°	3°	0°	0°	0°	0°	3°	2°	2°	
Off	4°	4°	2°	0°	0°	0°	0°	2°	4°	4°	
In-out	0,15 mm	0,15 mm	0,20 mm	0,45 mm	0,45 mm	0,45 mm	0,45 mm	0,20 mm	0,15 mm	0,15 mm	

Replacement

Slot	.018" x .028"	05.20.0845	05.20.0844	05.20.0843	05.20.0850	05.20.0850	05.20.0850	05.20.0850	05.20.0833	05.20.0834	05.20.0835
	.022" x .028"	05.21.0845	05.21.0844	05.21.0843	05.21.0850	05.21.0850	05.21.0850	05.21.0850	05.21.0833	05.21.0834	05.21.0835
quantity	5	5	5	5	5	5	5	5	5	5	5

PASSIVE SELF-LIGATING



CLIP WITH STRAIGHT TABS

INTERACTIVE SELF-LIGATING



DAMON* STANDARD PRESCRIPTION

Slot	Reference	Hooks on 3, 4, 5
.022" x .028"	05.23.1290	20 brackets

Variation of the kits: 05.23.1291 - Hooks on 3 .022"
05.23.1206 - No Hooks .022"

	3 mm	3 mm	3 mm	2,7 mm	2,9 mm	2,9 mm	2,7 mm	3 mm	3 mm	3 mm
length	3 mm	3 mm	3 mm	2,7 mm	2,9 mm	2,9 mm	2,7 mm	3 mm	3 mm	3 mm
torque	-11°	-11°	7°	6°	15°	15°	6°	7°	-11°	-11°
angle	2°	2°	5°	9°	5°	5°	9°	5°	2°	2°
Off	2°	2°	4°	0°	0°	0°	0°	4°	2°	2°
In-out	0,25 mm	0,25mm	0,25 mm	0,65 mm	0,50 mm	0,50 mm	0,65 mm	0,25 mm	0,25 mm	0,25 mm

Replacement

Slot	.022" x .028"	05.23.1514	05.23.1514	05.23.1213	05.23.1212	05.23.1211	05.23.1221	05.23.1222	05.23.1223	05.23.1524	05.23.1524
	quantity	5	5	5	5	5	5	5	5	5	5
		5	4	3	2	1	1	2	3	4	5
		15	14	13	12	11	21	22	23	24	25
Upper											
Lower											
		45	44	43	42	41	31	32	33	34	35
		5	4	3	2	1	1	2	3	4	5
length		3 mm	3 mm	2,9 mm	2,7 mm	2,7 mm	2,7 mm	2,7 mm	2,9 mm	3 mm	3 mm
torque		-17°	-12°	7°	-3°	-3°	-3°	-3°	7°	-12°	-17°
angle		4°	4°	5°	4°	2°	2°	4°	5°	4°	4°
Off		4°	4°	2°	0°	0°	0°	0°	2°	4°	4°
In-out		0,15 mm	0,15 mm	0,20 mm	0,45 mm	0,45 mm	0,45 mm	0,45 mm	0,20 mm	0,15 mm	0,15 mm

Replacement

Slot	.022" x .028"	05.23.1545	05.23.1644	05.23.1243	05.23.2042	05.23.2041	05.23.2031	05.23.2032	05.23.1233	05.23.1634	05.23.1535
	quantity	5	5	5	5	5	5	5	5	5	5



DAMON* LOW TORQUE PRESCRIPTION

Slot	Reference	Hooks on 3, 4, 5
.022" x .028"	05.23.1090	20 brackets

Variation of the kits: 05.23.1091 - Hooks on 3 .022"
05.23.1006 - No Hooks .022"

	3 mm	3 mm	3 mm	2,7 mm	2,9 mm	2,9 mm	2,7 mm	3 mm	3 mm	3 mm
length	3 mm	3 mm	3 mm	2,7 mm	2,9 mm	2,9 mm	2,7 mm	3 mm	3 mm	3 mm
torque	-11°	-11°	-9°	-5°	2°	2°	-5°	-9°	-11°	-11°
angle	2°	2°	5°	9°	5°	5°	9°	5°	2°	2°
Off	2°	2°	4°	0°	0°	0°	0°	4°	2°	2°
In-out	0,25 mm	0,25mm	0,25 mm	0,65 mm	0,50 mm	0,50 mm	0,65 mm	0,25 mm	0,25 mm	0,25 mm

Replacement

Slot	.022" x .028"	05.23.1514	05.23.1514	05.23.1013	05.23.1012	05.23.1011	05.23.1021	05.23.1022	05.23.1023	05.23.1524	05.23.1524
	quantity	5	5	5	5	5	5	5	5	5	5
		5	4	3	2	1	1	2	3	4	5
		15	14	13	12	11	21	22	23	24	25
Upper											
Lower											
		45	44	43	42	41	31	32	33	34	35
		5	4	3	2	1	1	2	3	4	5
length		3 mm	3 mm	2,9 mm	2,7 mm	2,7 mm	2,7 mm	2,7 mm	2,9 mm	3 mm	3 mm
torque		-17°	-12°	0°	-11°	-11°	-11°	-11°	0°	-12°	-17°
angle		4°	4°	5°	4°	2°	2°	4°	5°	4°	4°
Off		4°	4°	2°	0°	0°	0°	0°	2°	4°	4°
In-out		0,15 mm	0,15 mm	0,20 mm	0,45 mm	0,45 mm	0,45 mm	0,45 mm	0,20 mm	0,15 mm	0,15 mm

Replacement

Slot	.022" x .028"	05.23.1545	05.23.1644	05.23.1043	05.23.1042	05.23.1041	05.23.1031	05.23.1032	05.23.1033	05.23.1634	05.23.1535
	quantity	5	5	5	5	5	5	5	5	5	5

*Damon is a registered of Ormco Corporation.

DAMON* SUPER TORQUE PRESCRIPTION



Slot	Reference	Hooks on 3, 4, 5
.022" x .028"	05.23.1190	20 brackets

Variation of the kits: 05.23.1191 - Hooks on 3 .022"
05.23.1106 - No Hooks .022"

	length	3 mm	3 mm	3 mm	2,7 mm	2,9 mm	2,9 mm	2,7 mm	3 mm	3 mm	3 mm
torque		-11°	-11°	11°	13°	22°	22°	13°	11°	-11°	-11°
angle		2°	2°	5°	9°	5°	5°	9°	5°	2°	2°
Off		2°	2°	4°	0°	0°	0°	0°	4°	2°	2°
In-out		0,25 mm	0,25mm	0,25 mm	0,65 mm	0,50 mm	0,50 mm	0,65 mm	0,25 mm	0,25 mm	0,25 mm

Replacement

Slot	.022" x .028"	05.23.1514	05.23.1514	05.23.1113	05.23.1112	05.23.1111	05.23.1121	05.23.1122	05.23.1123	05.23.1524	05.23.1524
		quantity	5	5	5	5	5	5	5	5	5
		5	4	3	2	1	1	2	3	4	5
		15	14	13	12	11	21	22	23	24	25
Upper											
Lower											
		45	44	43	42	41	31	32	33	34	35
		5	4	3	2	1	1	2	3	4	5
length		3 mm	3 mm	2,9 mm	2,7 mm	2,7 mm	2,7 mm	2,7 mm	2,9 mm	3 mm	3 mm
torque		-17°	-5°	13°	-3°	-3°	-3°	-3°	13°	-5°	-17°
angle		4°	4°	5°	4°	2°	2°	4°	5°	4°	4°
Off		4°	4°	2°	0°	0°	0°	0°	2°	4°	4°
In-out		0,15 mm	0,15 mm	0,20 mm	0,45 mm	0,45 mm	0,45 mm	0,45 mm	0,20 mm	0,15 mm	0,15 mm

Replacement

Slot	.022" x .028"	05.23.1545	05.23.1144	05.23.1143	05.23.2042	05.23.2041	05.23.2031	05.23.2032	05.23.1133	05.23.1134	05.23.1535
	quantity	5	5	5	5	5	5	5	5	5	5

ROTH PRESCRIPTION



Slot	Reference	Hooks on 3, 4, 5
.018" x .028"	05.22.0390	20 brackets
.022" x .028"	05.23.0390	20 brackets

Variation of the kits: 05.22.0391 - Hooks on 3 .018"
05.22.0306 - No Hooks .018" 05.23.0391 - Hooks on 3 .022"
05.23.0306 - No Hooks .022"

	length	3 mm	3 mm	3 mm	2,7 mm	2,9 mm	2,9 mm	2,7 mm	3 mm	3 mm	3 mm
torque		-7°	-7°	0°	8°	12°	12°	8°	0°	-7°	-7°
angle		0°	0°	11°	9°	5°	5°	9°	11°	0°	0°
Off		2°	2°	4°	0°	0°	0°	0°	4°	2°	2°
In-out		0,25 mm	0,25 mm	0,25 mm	0,65 mm	0,50 mm	0,50 mm	0,65 mm	0,25 mm	0,25mm	0,25 mm

Replacement

Slot	.018" x .028"	05.22.3814	05.22.3814	05.22.0313	05.22.0312	05.22.0311	05.22.0321	05.22.0322	05.22.0323	05.22.3824	05.22.3824
		quantity	5	5	5	5	5	5	5	5	5
		5	4	3	2	1	1	2	3	4	5
		15	14	13	12	11	21	22	23	24	25
Upper											
Lower											
		45	44	43	42	41	31	32	33	34	35
		5	4	3	2	1	1	2	3	4	5
length		3 mm	3 mm	2,9 mm	2,7 mm	2,7 mm	2,7 mm	2,7 mm	2,9 mm	3 mm	3 mm
torque		-22°	-17°	-11°	0°	0°	0°	0°	-11°	-17°	-22°
angle		0°	0°	5°	0°	0°	0°	0°	5°	0°	0°
Off		4°	4°	2°	0°	0°	0°	0°	2°	4°	4°
In-out		0,15 mm	0,15 mm	0,20 mm	0,45 mm	0,45 mm	0,45 mm	0,45 mm	0,20 mm	0,15 mm	0,15 mm

Replacement

Slot	.018" x .028"	05.22.0345	05.22.0344	05.22.0343	05.22.0350	05.22.0350	05.22.0350	05.22.0350	05.22.0333	05.22.0334	05.22.0335
	.022" x .028"	05.23.0345	05.23.0344	05.23.0343	05.23.0350	05.23.0350	05.23.0350	05.23.0350	05.23.0333	05.23.0334	05.23.0335
	quantity	5	5	5	5	5	5	5	5	5	5

INTERACTIVE SELF-LIGATING



MBT PRESCRIPTION

Slot	Reference	Hooks on 3, 4, 5									
.018" x .028"	05.22.0890	20 brackets									
.022" x .028"	05.23.0890	20 brackets									
Variation of the kits:		05.22.0891 - Hooks on 3 .018"					05.23.0891 - Hooks on 3 .022"				
		05.22.0806 - No Hooks .018"					05.23.0806 - No Hooks .022"				
length	3 mm	3 mm	3 mm	3 mm	2,7 mm	2,9 mm	2,9 mm	2,7 mm	3 mm	3 mm	3 mm
torque	-7°	-7°	-7°	-7°	10°	17°	17°	10°	-7°	-7°	-7°
angle	0°	0°	8°	8°	8°	4°	4°	8°	8°	0°	0°
Off	2°	2°	4°	4°	0°	0°	0°	0°	4°	2°	2°
In-out	0,25 mm	0,25 mm	0,25 mm	0,25 mm	0,65 mm	0,50 mm	0,50 mm	0,65 mm	0,25 mm	0,25mm	0,25 mm

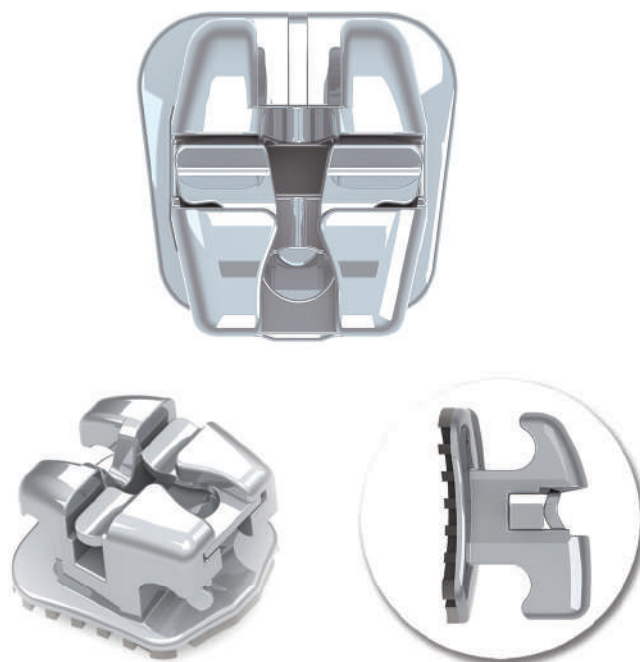
Replacement

Slot	.018" x .028"	05.22.3814	05.22.3814	05.22.0813	05.22.0812	05.22.0811	05.22.0821	05.22.0822	05.22.0823	05.22.3824	05.22.3824
	.022" x .028"	05.23.3814	05.23.3814	05.23.0813	05.23.0812	05.23.0811	05.23.0821	05.23.0822	05.23.0823	05.23.3824	05.23.3824
quantity	5	5	5	5	5	5	5	5	5	5	5
	5	4	3	2	1	1	2	3	4	5	
	15	14	13	12	11	21	22	23	24	25	
Upper											
Lower											
	45	44	43	42	41	31	32	33	34	35	
	5	4	3	2	1	1	2	3	4	5	
length	3 mm	3 mm	2,9 mm	2,7 mm	2,7 mm	2,7 mm	2,7 mm	2,9 mm	3 mm	3 mm	
torque	-17°	-12°	-6°	-6°	-6°	-6°	-6°	-6°	-12°	-17°	
angle	2°	2°	3°	0°	0°	0°	0°	3°	2°	2°	
Off	4°	4°	2°	0°	0°	0°	0°	2°	4°	4°	
In-out	0,15 mm	0,15 mm	0,20 mm	0,45 mm	0,45 mm	0,45 mm	0,45 mm	0,20 mm	0,15 mm	0,15 mm	

Replacement

Slot	.018" x .028"	05.22.0845	05.22.0844	05.22.0843	05.22.0850	05.22.0850	05.22.0850	05.22.0850	05.22.0833	05.22.0834	05.22.0835
	.022" x .028"	05.23.0845	05.23.0844	05.23.0843	05.23.0850	05.23.0850	05.23.0850	05.23.0850	05.23.0833	05.23.0834	05.23.0835
quantity	5	5	5	5	5	5	5	5	5	5	5

INTERACTIVE SELF-LIGATING



CLIP WITH CURVED TABS

*Damon is a registered of Ormco Corporation.

DAMON* STANDARD PRESCRIPTION

Slot	Reference	Hooks on 3, 4, 5								
.022" x .028"	05.32.1290	20 brackets								
Variation of the kits:		05.32.1291 - Hooks on 3 .022" 05.32.1206 - No Hooks .022"								
length	3 mm	3 mm	3 mm	2,7 mm	2,9 mm	2,9 mm	2,7 mm	3 mm	3 mm	3 mm
torque	-11°	-11°	7°	6°	15°	15°	6°	7°	-11°	-11°
angle	2°	2°	5°	9°	5°	5°	9°	5°	2°	2°
Off	2°	2°	4°	0°	0°	0°	0°	4°	2°	2°
In-out	0,25 mm	0,25 mm	0,25 mm	0,65 mm	0,50 mm	0,50 mm	0,65 mm	0,25mm	0,25 mm	0,25 mm

Replacement

Slot	.022" x .028"	05.21.1514	05.21.1514	05.21.1213	05.23.1212	05.23.1211	05.23.1221	05.23.1222	05.21.1223	05.21.1524	05.21.1524
	quantity	5	5	5	5	5	5	5	5	5	5
		5	4	3	2	1	1	2	3	4	5
		15	14	13	12	11	21	22	23	24	25
Upper											
Lower											
		5	4	3	2	1	1	2	3	4	5
length	3 mm	3 mm	2,9 mm	2,7 mm	2,7 mm	2,7 mm	2,7 mm	2,9 mm	3 mm	3 mm	
torque	-17°	-12°	7°	-3°	-3°	-3°	-3°	7°	-12°	-17°	
angle	4°	4°	5°	4°	2°	2°	4°	5°	4°	4°	
Off	4°	4°	2°	0°	0°	0°	0°	2°	4°	4°	
In-out	0,15 mm	0,15 mm	0,20 mm	0,45 mm	0,45 mm	0,45 mm	0,45 mm	0,20 mm	0,15 mm	0,15 mm	

Replacement

Slot	.022" x .028"	05.21.1545	05.21.1644	05.21.1243	05.23.2042	05.23.2041	05.23.2031	05.23.2032	05.21.1233	05.21.1634	05.21.1535
	quantity	5	5	5	5	5	5	5	5	5	5

DAMON* LOW TORQUE PRESCRIPTION

Slot	Reference	Hooks on 3, 4, 5
.022" x .028"	05.32.1090	20 brackets

Variation of the kits:		05.32.1091 - Hooks on 3 .022" 05.32.1006 - No Hooks .022"								
length	3 mm	3 mm	3 mm	2,7 mm	2,9 mm	2,9 mm	2,7 mm	3 mm	3 mm	3 mm
torque	-11°	-11°	-9°	-5°	2°	2°	-5°	-9°	-11°	-11°
angle	2°	2°	5°	9°	5°	5°	9°	5°	2°	2°
Off	2°	2°	4°	0°	0°	0°	0°	4°	2°	2°
In-out	0,25 mm	0,25 mm	0,25 mm	0,65 mm	0,50 mm	0,50 mm	0,65 mm	0,25 mm	0,25mm	0,25 mm

Replacement

Slot	.022" x .028"	05.21.1514	05.21.1514	05.21.1013	05.23.1012	05.23.1011	05.23.1021	05.23.1022	05.21.1023	05.21.1524	05.21.1524
	quantity	5	5	5	5	5	5	5	5	5	5
		5	4	3	2	1	1	2	3	4	5
		15	14	13	12	11	21	22	23	24	25
Upper											
Lower											
		5	4	3	2	1	1	2	3	4	5
length	3 mm	3 mm	2,9 mm	2,7 mm	2,7 mm	2,7 mm	2,7 mm	2,9 mm	3 mm	3 mm	
torque	-17°	-12°	0°	-11°	-11°	-11°	-11°	0°	-12°	-17°	
angle	4°	4°	5°	4°	2°	2°	4°	5°	4°	4°	
Off	4°	4°	2°	0°	0°	0°	0°	2°	4°	4°	
In-out	0,15 mm	0,15 mm	0,20 mm	0,45 mm	0,45 mm	0,45 mm	0,45 mm	0,20 mm	0,15 mm	0,15 mm	

Replacement

Slot	.022" x .028"	05.21.1545	05.21.1644	05.21.1043	05.23.1042	05.23.1041	05.23.1031	05.23.1032	05.21.1033	05.21.1634	05.21.1535
	quantity	5	5	5	5	5	5	5	5	5	5

HYBRID SELF-LIGATING .018"/.022"

Interactive Anterior / Passive Posterior

System
EasyClip⁺
Self-Ligating 2^{generation}

DAMON* SUPER TORQUE PRESCRIPTION

Slot	Reference	Hooks on 3, 4, 5					Variation of the kits:				
.022" x .028"	05.32.1190	20 brackets					05.32.1191 - Hooks on 3 .022" 05.32.1106 - No Hooks .022"				
length	3 mm	3 mm	3 mm	2,7 mm	2,9 mm	2,9 mm	2,7 mm	3 mm	3 mm	3 mm	
torque	-11°	-11°	11°	13°	22°	22°	13°	11°	-11°	-11°	
angle	2°	2°	5°	9°	5°	5°	9°	5°	2°	2°	
Off	2°	2°	4°	0°	0°	0°	0°	4°	2°	2°	
In-out	0,25 mm	0,25 mm	0,25 mm	0,65 mm	0,50 mm	0,50 mm	0,65 mm	0,25 mm	0,25mm	0,25 mm	

Replacement

Slot	.022" x .028"	05.21.1514	05.21.1514	05.21.1113	05.23.1112	05.23.1111	05.23.1121	05.23.1122	05.21.1123	05.21.1524	05.21.1524
quantity	5	5	5	5	5	5	5	5	5	5	5
	5	4	3	2	1	1	2	3	4	5	
	15	14	13	12	11	21	22	23	24	25	
Upper											
Lower											
	45	44	43	42	41	31	32	33	34	35	
	5	4	3	2	1	1	2	3	4	5	
length	3 mm	3 mm	2,9 mm	2,7 mm	2,7 mm	2,7 mm	2,7 mm	2,9 mm	3 mm	3 mm	
torque	-17°	-5°	13°	-3°	-3°	-3°	-3°	13°	-5°	-17°	
angle	4°	4°	5°	4°	2°	2°	4°	5°	4°	4°	
Off	4°	4°	2°	0°	0°	0°	0°	2°	4°	4°	
In-out	0,15 mm	0,15 mm	0,20 mm	0,45 mm	0,45 mm	0,45 mm	0,45 mm	0,20 mm	0,15 mm	0,15 mm	

Replacement

Slot	.022" x .028"	05.21.1545	05.21.1144	05.21.1143	05.23.2042	05.23.2041	05.23.2031	05.23.2032	05.21.1133	05.21.1134	05.21.1535
quantity	5	5	5	5	5	5	5	5	5	5	5

*Damon is a registered of ORMCO Corporation.

ROTH PRESCRIPTION

System
EasyClip⁺
Self-Ligating 2^{generation}

Slot	Reference	Hooks on 3, 4, 5					Variation of the kits:				
.018" x .028"	05.31.0390	20 brackets					05.32.0391 - Hooks on 3 .022" 05.31.0306 - No Hooks .018"				
.022" x .028"	05.32.0390	20 brackets					05.32.0306 - No Hooks .022"				
length	3 mm	3 mm	3 mm	2,7 mm	2,9 mm	2,9 mm	2,7 mm	3 mm	3 mm	3 mm	
torque	-7°	-7°	0°	8°	12°	12°	8°	0°	-7°	-7°	
angle	0°	0°	11°	9°	5°	5°	9°	11°	0°	0°	
Off	2°	2°	4°	0°	0°	0°	0°	4°	2°	2°	
In-out	0,25 mm	0,25 mm	0,25 mm	0,65 mm	0,50 mm	0,50 mm	0,65 mm	0,25 mm	0,25mm	0,25 mm	

Replacement

Slot	.018" x .028"	05.20.3814	05.20.3814	05.20.0313	05.22.0312	05.22.0311	05.22.0321	05.22.0322	05.20.0323	05.20.3824	05.20.3824
quantity	5	5	5	5	5	5	5	5	5	5	5
	5	4	3	2	1	1	2	3	4	5	
	15	14	13	12	11	21	22	23	24	25	
Upper											
Lower											
	45	44	43	42	41	31	32	33	34	35	
	5	4	3	2	1	1	2	3	4	5	
length	3 mm	3 mm	2,9 mm	2,7 mm	2,7 mm	2,7 mm	2,7 mm	2,9 mm	3 mm	3 mm	
torque	-22°	-17°	-11°	0°	0°	0°	0°	-11°	-17°	-22°	
angle	0°	0°	5°	0°	0°	0°	0°	5°	0°	0°	
Off	4°	4°	2°	0°	0°	0°	0°	2°	4°	4°	
In-out	0,15 mm	0,15 mm	0,20 mm	0,45 mm	0,45 mm	0,45 mm	0,45 mm	0,20 mm	0,15 mm	0,15 mm	

Replacement

Slot	.018" x .028"	05.20.0345	05.20.0344	05.20.0343	05.22.0350	05.22.0350	05.22.0350	05.22.0350	05.20.0333	05.20.0334	05.20.0335
quantity	5	5	5	5	5	5	5	5	5	5	5



Slot	Reference	Hooks on 3, 4, 5	Variation of the kits:								
.018" x .028"	05.31.0890	20 brackets	05.31.0891 - Hooks on 3 .018"			05.32.0891 - Hooks on 3 .022"					
.022" x .028"	05.32.0890	20 brackets	05.31.0806 - No Hooks .018"			05.32.0806 - No Hooks .022"					
length	3 mm	3 mm	3 mm	2,7 mm	2,9 mm	2,9 mm	2,7 mm	3 mm	3 mm	3 mm	
torque	-7°	-7°	-7°	10°	17°	17°	10°	-7°	-7°	-7°	
angle	0°	0°	8°	8°	4°	4°	8°	8°	0°	0°	
Off	2°	2°	4°	0°	0°	0°	0°	4°	2°	2°	
In-out	0,25 mm	0,25 mm	0,25 mm	0,65 mm	0,50 mm	0,50 mm	0,65 mm	0,25 mm	0,25mm	0,25 mm	

Replacement

Slot	.018" x .028"	05.20.3814	05.20.3814	05.20.0813	05.22.0812	05.22.0811	05.22.0821	05.22.0822	05.20.0823	05.20.3824	05.20.3824
quantity	5	5	5	5	5	5	5	5	5	5	5
	5	4	3	2	1	1	2	3	4	5	
	15	14	13	12	11	21	22	23	24	25	
Upper											
Lower											
	45	44	43	42	41	31	32	33	34	35	
	5	4	3	2	1	1	2	3	4	5	
length	3 mm	3 mm	2,9 mm	2,7 mm	2,7 mm	2,7 mm	2,7 mm	2,9 mm	3 mm	3 mm	
torque	-17°	-12°	-6°	-6°	-6°	-6°	-6°	-6°	-12°	-17°	
angle	2°	2°	3°	0°	0°	0°	0°	3°	2°	2°	
Off	4°	4°	2°	0°	0°	0°	0°	2°	4°	4°	
In-out	0,15 mm	0,15 mm	0,20 mm	0,45 mm	0,45 mm	0,45 mm	0,45 mm	0,20 mm	0,15 mm	0,15 mm	

Replacement

Slot	.018" X .028"	05.20.0845	05.20.0844	05.20.0843	05.22.0850	05.22.0850	05.22.0850	05.22.0850	05.20.0833	05.20.0834	05.20.0835
quantity	5	5	5	5	5	5	5	5	5	5	5

BI DIMENSIONAL HYBRID SELF-LIGATING 3-3

JORGE RODRIGUES PRESCRIPTION



Slot	Reference	Hooks on 3, 4, 5
.018" and .022" x .028"	05.33.1490	20 brackets

length	3 mm	3 mm	3 mm	2,7 mm	2,9 mm	2,9 mm	2,7 mm	3 mm	3 mm	3 mm
torque	-7°	-7°	7°	13°	22°	22°	13°	7°	-7°	-7°
angle	0°	0°	5°	9°	5°	5°	9°	5°	0°	0°
Off	2°	2°	4°	0°	0°	0°	0°	4°	2°	2°
In-out	0,25 mm	0,25 mm	0,25 mm	0,80 mm	0,65 mm	0,65 mm	0,80 mm	0,25 mm	0,25mm	0,25 mm

Replacement

Slot	.018" x .028"	05.21.3814	05.21.3814	05.22.1213	05.22.1112	05.22.1111	05.22.1121	05.22.1122	05.22.1223	05.21.3824	05.21.3824
quantity	5	5	5	5	5	5	5	5	5	5	5
	5	4	3	2	1	1	2	3	4	5	
	15	14	13	12	11	21	22	23	24	25	
Upper											
Lower											
	45	44	43	42	41	31	32	33	34	35	
	5	4	3	2	1	1	2	3	4	5	
length	3 mm	3 mm	2,9 mm	2,7 mm	2,7 mm	2,7 mm	2,7 mm	2,9 mm	3 mm	3 mm	
torque	-22°	-17°	0°	-6°	-6°	-6°	-6°	0°	-17°	-22°	
angle	0°	0°	3°	0°	0°	0°	0°	3°	0°	0°	
Off	4°	4°	2°	0°	0°	0°	0°	2°	4°	4°	
In-out	0,15 mm	0,15 mm	0,20 mm	0,45 mm	0,45 mm	0,45 mm	0,45 mm	0,20 mm	0,15 mm	0,15 mm	

Replacement

Slot	.018" x .028"	05.21.0345	05.21.0344	05.22.1843	05.22.0850	05.22.0850	05.22.0850	05.22.0850	05.22.1833	05.21.0334	05.21.0335
quantity	5	5	5	5	5	5	5	5	5	5	5

BI DIMENSIONAL HYBRID SELF-LIGATING

Interactive .018" Anterior / Passive .022" Posterior



ROTH PRESCRIPTION

Slot	Reference	Hooks on 3, 4, 5
.018" and .022" x .028"	05.28.0390 (2-2)	20 brackets

length	3 mm	3 mm	3 mm	2,7 mm	2,9 mm	2,9 mm	2,7 mm	3 mm	3 mm	3 mm
torque	-7°	-7°	0°	8°	12°	12°	8°	0°	-7°	-7°
angle	0°	0°	11°	9°	5°	5°	9°	11°	0°	0°
Off	2°	2°	4°	0°	0°	0°	0°	4°	2°	2°
In-out	0,25 mm	0,25 mm	0,25 mm	0,65 mm	0,50 mm	0,50 mm	0,65 mm	0,25 mm	0,25mm	0,25 mm

Replacement

Slot	.018" x .028"				05.22.0312	05.22.0311	05.22.0321	05.22.0322			
	.022" x .028"	05.21.3814	05.21.3814	05.21.0313					05.21.0323	05.21.3824	05.21.3824
quantity	5	5	5	5	5	5	5	5	5	5	5
	5	4	3	2	1	1	2	3	4	5	
	15	14	13	12	11	21	22	23	24	25	
Upper											
Lower											
	45	44	43	42	41	31	32	33	34	35	
	5	4	3	2	1	1	2	3	4	5	
length	3 mm	3 mm	2,9 mm	2,7 mm	2,7 mm	2,7 mm	2,7 mm	2,9 mm	3 mm	3 mm	
torque	-22°	-17°	-11°	0°	0°	0°	0°	-11°	-17°	-22°	
angle	0°	0°	5°	0°	0°	0°	0°	5°	0°	0°	
Off	4°	4°	2°	0°	0°	0°	0°	2°	4°	4°	
In-out	0,15 mm	0,15 mm	0,20 mm	0,45 mm	0,45 mm	0,45 mm	0,45 mm	0,20 mm	0,15 mm	0,15 mm	

Replacement

Slot	.018" x .028"				05.22.0350	05.22.0350	05.22.0350	05.22.0350			
	.022" x .028"	05.21.0345	05.21.0344	05.21.0343					05.21.0333	05.21.0334	05.21.0335
quantity	5	5	5	5	5	5	5	5	5	5	



MBT PRESCRIPTION

Slot	Reference	Hooks on 3, 4, 5
.018" and .022" x .028"	05.28.0890 (2-2)	20 brackets

length	3 mm	3 mm	3 mm	2,7 mm	2,9 mm	2,9 mm	2,7 mm	3 mm	3 mm	3 mm
torque	-7°	-7°	-7°	10°	17°	17°	10°	-7°	-7°	-7°
angle	0°	0°	8°	8°	4°	4°	8°	8°	0°	0°
Off	2°	2°	4°	0°	0°	0°	0°	4°	2°	2°
In-out	0,25 mm	0,25 mm	0,25 mm	0,65 mm	0,50 mm	0,50 mm	0,65 mm	0,25 mm	0,25mm	0,25 mm

Replacement

Slot	.018" x .028"				05.22.0812	05.22.0811	05.22.0821	05.22.0822			
	.022" x .028"	05.21.3814	05.21.3814	05.21.0813					05.21.0823	05.21.3824	05.21.3824
quantity	5	5	5	5	5	5	5	5	5	5	
	5	4	3	2	1	1	2	3	4	5	
	15	14	13	12	11	21	22	23	24	25	
Upper											
Lower											
	45	44	43	42	41	31	32	33	34	35	
	5	4	3	2	1	1	2	3	4	5	
length	3 mm	3 mm	2,9 mm	2,7 mm	2,7 mm	2,7 mm	2,7 mm	2,9 mm	3 mm	3 mm	
torque	-17°	-12°	-6°	-6°	-6°	-6°	-6°	-6°	-12°	-17°	
angle	2°	2°	3°	0°	0°	0°	0°	3°	2°	2°	
Off	4°	4°	2°	0°	0°	0°	0°	2°	4°	4°	
In-out	0,15 mm	0,15 mm	0,20 mm	0,45 mm	0,45 mm	0,45 mm	0,45 mm	0,20 mm	0,15 mm	0,15 mm	

Replacement

Slot	.018" x .028"				05.22.0850	05.22.0850	05.22.0850	05.22.0850			
	.022" x .028"	05.21.0845	05.21.0844	05.21.0843					05.21.0833	05.21.0834	05.21.0835
quantity	5	5	5	5	5	5	5	5	5	5	

ROTH PRESCRIPTION

Slot	Reference	Hooks on 3, 4, 5
.018" and .022" x .028"	05.26.0390	20 brackets

Variation of the kits: 05.26.0391 - Hooks on 3 .018" with .022" x .028"
05.26.0306 - No Hooks .018" with .022" x .028"

length	3 mm	3 mm	3 mm	2,7 mm	2,9 mm	2,9 mm	2,7 mm	3 mm	3 mm	3 mm
torque	-7°	-7°	-11°	8°	12°	12°	8°	-11°	-7°	-7°
angle	0°	0°	0°	9°	5°	5°	9°	0°	0°	0°
Off	2°	2°	4°	0°	0°	0°	0°	4°	2°	2°
In-out	0,25 mm	0,25 mm	0,25 mm	0,65 mm	0,50 mm	0,50 mm	0,65 mm	0,25 mm	0,25mm	0,25 mm

Replacement

Slot	.018" x .028				05.20.0312	05.20.0311	05.20.0321	05.20.0322			
	.022" x .028"	05.21.3814	05.21.3814	05.21.0313					05.21.0323	05.21.3824	05.21.3824
quantity	5	5	5	5	5	5	5	5	5	5	5
	5	4	3	2	1	1	2	3	4	5	
	15	14	13	12	11	21	22	23	24	25	
Upper											
Lower											
	45	44	43	42	41	31	32	33	34	35	
	5	4	3	2	1	1	2	3	4	5	
length	3 mm	3 mm	2,9 mm	2,7 mm	2,7 mm	2,7 mm	2,7 mm	2,9 mm	3 mm	3 mm	
torque	-22°	-17°	-11°	0°	0°	0°	0°	-11°	-17°	-22°	
angle	0°	0°	5°	0°	0°	0°	0°	5°	0°	0°	
Off	4°	4°	2°	0°	0°	0°	0°	2°	4°	4°	
In-out	0,15 mm	0,15 mm	0,20 mm	0,45 mm	0,45 mm	0,45 mm	0,45 mm	0,20 mm	0,15 mm	0,15 mm	

Replacement

Slot	.018" x .028"				05.20.0350	05.20.0350	05.20.0350	05.20.0350			
	.022" x .028"	05.21.0345	05.21.0344	05.21.0343					05.21.0333	05.21.0334	05.21.0335
quantity	5	5	5	5	5	5	5	5	5	5	5

MBT PRESCRIPTION

Slot	Reference	Hooks on 3, 4, 5
.018" and .022" x .028"	05.26.0890	20 brackets

Variation of the kits: 05.26.0891 - Hooks on 3 .018" with .022" x .028"
05.26.0806 - No Hooks .018" with .022" x .028"

length	3 mm	3 mm	3 mm	2,7 mm	2,9 mm	2,9 mm	2,7 mm	3 mm	3 mm	3 mm
torque	-7°	-7°	-7°	10°	17°	17°	10°	-7°	-7°	-7°
angle	0°	0°	8°	8°	4°	4°	8°	8°	0°	0°
Off	2°	2°	4°	0°	0°	0°	0°	4°	2°	2°
In-out	0,25 mm	0,25 mm	0,25 mm	0,65 mm	0,50 mm	0,50 mm	0,65 mm	0,25 mm	0,25mm	0,25 mm

Replacement

Slot	.018" x .028"				05.20.0812	05.20.0811	05.20.0821	05.20.0822			
	.022" x .028"	05.21.3814	05.21.3814	05.21.0813					05.21.0823	05.21.3824	05.21.3824
quantity	5	5	5	5	5	5	5	5	5	5	5
	5	4	3	2	1	1	2	3	4	5	
	15	14	13	12	11	21	22	23	24	25	
Upper											
Lower											
	45	44	43	42	41	31	32	33	34	35	
	5	4	3	2	1	1	2	3	4	5	
length	3 mm	3 mm	2,9 mm	2,7 mm	2,7 mm	2,7 mm	2,7 mm	2,9 mm	3 mm	3 mm	
torque	-17°	-12°	-6°	-6°	-6°	-6°	-6°	-6°	-12°	-17°	
angle	2°	2°	3°	0°	0°	0°	0°	3°	2°	2°	
Off	4°	4°	2°	0°	0°	0°	0°	2°	4°	4°	
In-out	0,15 mm	0,15 mm	0,20 mm	0,45 mm	0,45 mm	0,45 mm	0,45 mm	0,20 mm	0,15 mm	0,15 mm	

Replacement

Slot	.018" x .028"				05.20.0850	05.20.0850	05.20.0850	05.20.0850			
	.022" x .028"	05.21.0845	05.21.0844	05.21.0843					05.21.0833	05.21.0834	05.21.0835
quantity	5	5	5	5	5	5	5	5	5	5	5



ROTH PRESCRIPTION

Slot	Reference	Hooks on 3, 4, 5				Variation of the kits: 05.27.0391 - Hooks on 3 .018" with .022" x .028" 05.27.0306 - No Hooks .018" with .022" x .028"					
.018" and .022" x .028"	05.27.0390	20 brackets									
length	3 mm	3 mm	3 mm	2,7 mm	2,9 mm	2,9 mm	2,7 mm	3 mm	3 mm	3 mm	
torque	-7°	-7°	0°	8°	12°	12°	8°	0°	-7°	-7°	
angle	0°	0°	11°	9°	5°	5°	9°	11°	0°	0°	
Off	2°	2°	4°	0°	0°	0°	0°	4°	2°	2°	
In-out	0,25 mm	0,25 mm	0,25 mm	0,65 mm	0,50 mm	0,50 mm	0,65 mm	0,25 mm	0,25mm	0,25 mm	

Replacement

Slot	.018" x .028"	.022" x .028"	quantity	05.22.0312	05.22.0311	05.22.0321	05.22.0322	05.23.0323	05.23.3824	05.23.3824
quantity	5	5	5	5	5	5	5	5	5	5
	5	4	3	2	1	1	2	3	4	5
	15	14	13	12	11	21	22	23	24	25
Upper										
Lower										
	45	44	43	42	41	31	32	33	34	35
	5	4	3	2	1	1	2	3	4	5
length	3 mm	3 mm	2,9 mm	2,7 mm	2,7 mm	2,7 mm	2,7 mm	2,9 mm	3 mm	3 mm
torque	-22°	-17°	-11°	0°	0°	0°	0°	-11°	-17°	-22°
angle	0°	0°	5°	0°	0°	0°	0°	5°	0°	0°
Off	4°	4°	2°	0°	0°	0°	0°	2°	4°	4°
In-out	0,15 mm	0,15 mm	0,20 mm	0,45 mm	0,45 mm	0,45 mm	0,45 mm	0,20 mm	0,15 mm	0,15 mm

Replacement

Slot	.018" x .028"	.022" x .028"	quantity	05.22.0350	05.22.0350	05.22.0350	05.22.0350	05.23.0333	05.23.0334	05.23.0335
quantity	5	5	5	5	5	5	5	5	5	5

MBT PRESCRIPTION



Slot	Reference	Hooks on 3, 4, 5				Variation of the kits: 05.27.0891 - Hooks on 3 .018" with .022" x .028" 05.27.0806 - No Hooks .018" with .022" x .028"					
.018" and .022" x .028"	05.27.0890	20 brackets									
length	3 mm	3 mm	3 mm	2,7 mm	2,9 mm	2,9 mm	2,7 mm	3 mm	3 mm	3 mm	
torque	-7°	-7°	-7°	10°	17°	17°	10°	-7°	-7°	-7°	
angle	0°	0°	8°	8°	4°	4°	8°	8°	0°	0°	
Off	2°	2°	4°	0°	0°	0°	0°	4°	2°	2°	
In-out	0,25 mm	0,25 mm	0,25 mm	0,65 mm	0,50 mm	0,50 mm	0,65 mm	0,25 mm	0,25mm	0,25 mm	

Replacement

Slot	.018" x .028"	.022" x .028"	quantity	05.22.0812	05.22.0811	05.22.0821	05.22.0822	05.23.0823	05.23.3824	05.23.3824
quantity	5	5	5	5	5	5	5	5	5	5
	5	4	3	2	1	1	2	3	4	5
	15	14	13	12	11	21	22	23	24	25
Upper										
Lower										
	45	44	43	42	41	31	32	33	34	35
	5	4	3	2	1	1	2	3	4	5
length	3 mm	3 mm	2,9 mm	2,7 mm	2,7 mm	2,7 mm	2,7 mm	2,9 mm	3 mm	3 mm
torque	-17°	-12°	-6°	-6°	-6°	-6°	-6°	-6°	-12°	-17°
angle	2°	2°	3°	0°	0°	0°	0°	3°	2°	2°
Off	4°	4°	2°	0°	0°	0°	0°	2°	4°	4°
In-out	0,15 mm	0,15 mm	0,20 mm	0,45 mm	0,45 mm	0,45 mm	0,45 mm	0,20 mm	0,15 mm	0,15 mm

Replacement

Slot	.018" x .028"	.022" x .028"	quantity	05.22.0850	05.22.0850	05.22.0850	05.22.0850	05.23.0833	05.23.0834	05.23.0835
quantity	5	5	5	5	5	5	5	5	5	5

EASY OPENING



1. Insert the instrument (explorer) into the clip hole, located below the slot.



2. To open the clip, turn the instrument gently 45° down. Also you can open the clip by pulling it (gently). Insert the instrument inside the clip hole and pull it vertically and parallel to the lower fins of the bracket.

SAFE LOCK

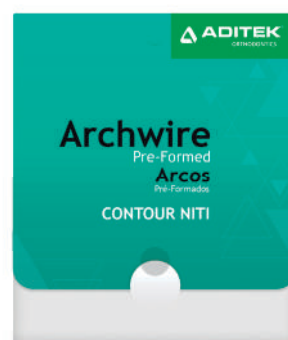
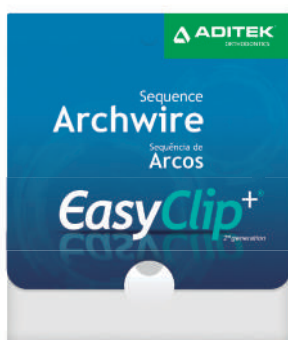


1. Place one of the tweezer tips on the upper fins of the brackets and place the other tip below the clip.



2. Press the tweezers vertically. The first "click" unlocks the clip from the lower fin. The second "click", stronger, will lock the clip between the fins, closing the slot.

Self-Ligating Archwires System

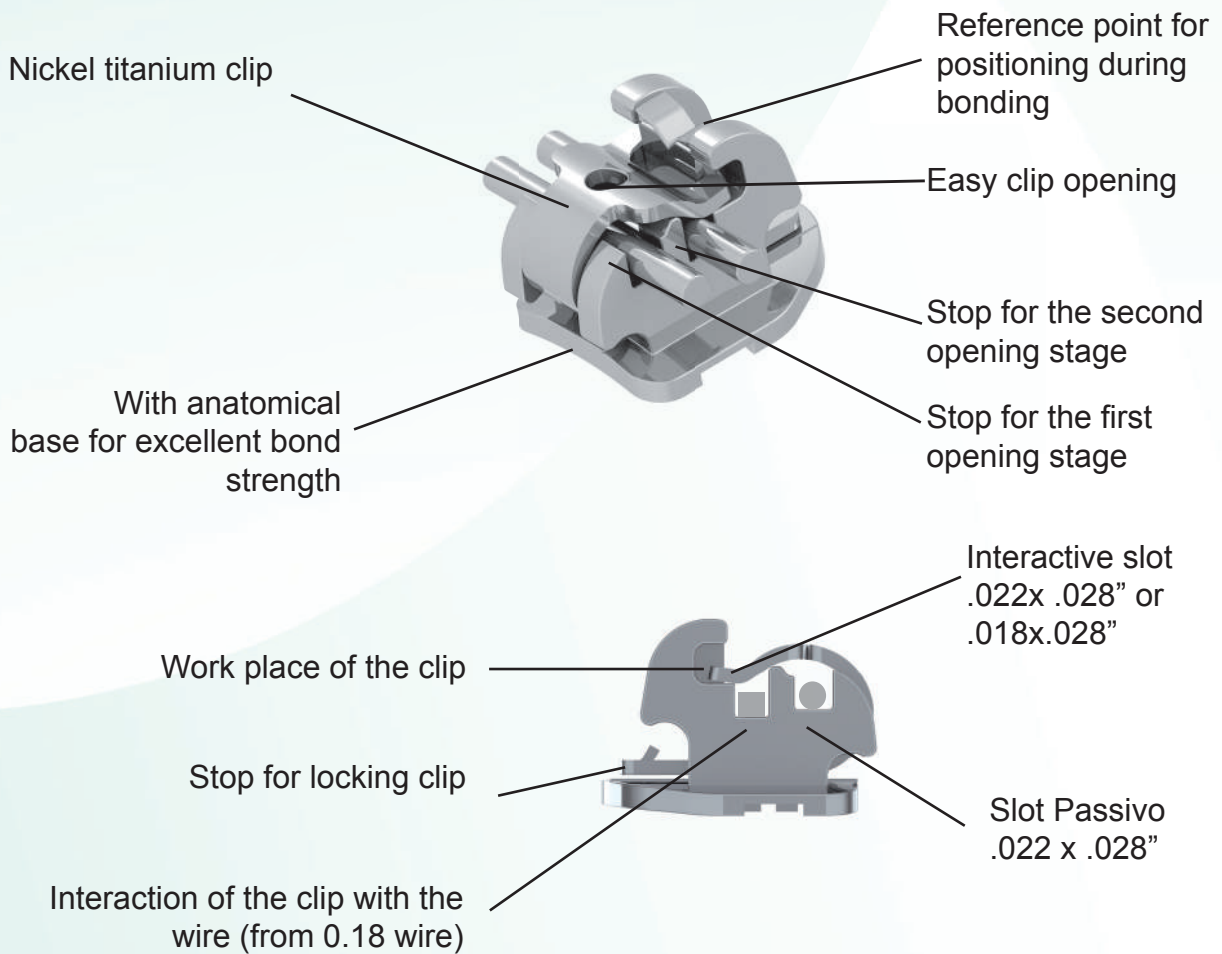
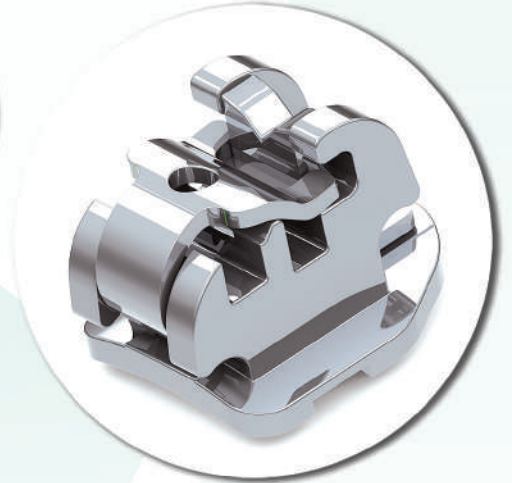


Self Ligating Bracket System
US Patent 8,414,292
Dr. Lopes, Alexandre Gallo

Kit contains:
04 5x5 cases, 04 archwires sequences,
instruments (tweezer and explorer) and
accessories (stop and hook ball).

BioClip[®] PI

DUAL SLOT



Interactive/Passive Bracket System
Zucchi/Janovich
US Patent 8,714,973



DUAL SLOT

Int Slot	Pass Slot	Reference	Hooks on 3, 4 & 5
.018" x .028"	.020" x .020"	05.07.1306	20 brackets
.022" x .028"	.020" x .020"	05.08.1306	20 brackets

Obs: The passive slots have the same torque and angulation as the interactive slots.

length	2,3 mm	2,3 mm	2,3 mm	2,3 mm	2,3 mm	2,3 mm	2,3 mm	2,3 mm	2,3 mm	2,3 mm
torque	-7°	-7°	0°	9°	12°	12°	9°	0°	-7°	-7°
angle	0°	0°	2°	8°	4°	4°	8°	2°	0°	0°

Replacement

Slot	.018" x .028"	05.07.1355	05.07.1355	05.07.1353	05.07.1312	05.07.1311	05.07.1321	05.07.1322	05.07.1363	05.07.1355	05.07.1355
	.022" x .028"	05.08.1355	05.08.1355	05.08.1353	05.08.1312	05.08.1311	05.08.1321	05.08.1322	05.08.1363	05.08.1355	05.08.1355
quantity	5	5	5	5	5	5	5	5	5	5	5

	5	4	3	2	1	1	2	3	4	5
	15	14	13	12	11	21	22	23	24	25
Upper										
Lower										
	45	44	43	42	41	31	32	33	34	35
	5	4	3	2	1	1	2	3	4	5

length	2,3 mm	2,3 mm	2,3 mm	2,1 mm	2,1 mm	2,1 mm	2,1 mm	2,3 mm	2,3 mm	2,3 mm
torque	-15°	-10°	0°	0°	0°	0°	0°	0°	-10°	-15°
angle	0°	0°	3°	0°	0°	0°	0°	3°	0°	0°

Replacement

Slot	.018" x .028"	05.07.1367	05.07.1365	05.07.1383	05.07.1350	05.07.1350	05.07.1350	05.07.1350	05.07.1373	05.07.1365	05.07.1367
	.022" x .028"	05.08.1367	05.08.1365	05.08.1383	05.08.1350	05.08.1350	05.08.1350	05.08.1350	05.08.1373	05.08.1365	05.08.1367
quantity	5	5	5	5	5	5	5	5	5	5	5

BI DIMENSIONAL DUAL SLOT



Int Slot	Pass Slot	Reference	Hooks on 3, 4 & 5
.018" x .028"	.020" x .020"	05.34.1306	20 brackets
.022" x .028"	.020" x .020"		20 brackets

Obs: The passive slots have the same torque and angulation as the interactive slots.

length	2,3 mm	2,3 mm	2,3 mm	2,3 mm	2,3 mm	2,3 mm	2,3 mm	2,3 mm	2,3 mm	2,3 mm
torque	-7°	-7°	0°	9°	12°	12°	9°	0°	-7°	-7°
angle	0°	0°	2°	8°	4°	4°	8°	2°	0°	0°

Replacement

Slot	.018" x .028"				05.07.1312	05.07.1311	05.07.1321	05.07.1322			
	.022" x .028"	05.08.1355	05.08.1355	05.08.1353					05.08.1363	05.08.1355	05.08.1355
quantity	5	5	5	5	5	5	5	5	5	5	5

	5	4	3	2	1	1	2	3	4	5
	15	14	13	12	11	21	22	23	24	25
Upper										
Lower										
	45	44	43	42	41	31	32	33	34	35
	5	4	3	2	1	1	2	3	4	5

length	2,3 mm	2,3 mm	2,3 mm	2,1 mm	2,1 mm	2,1 mm	2,1 mm	2,3 mm	2,3 mm	2,3 mm
torque	-15°	-10°	0°	0°	0°	0°	0°	0°	-10°	-15°
angle	0°	0°	3°	0°	0°	0°	0°	3°	0°	0°

Replacement

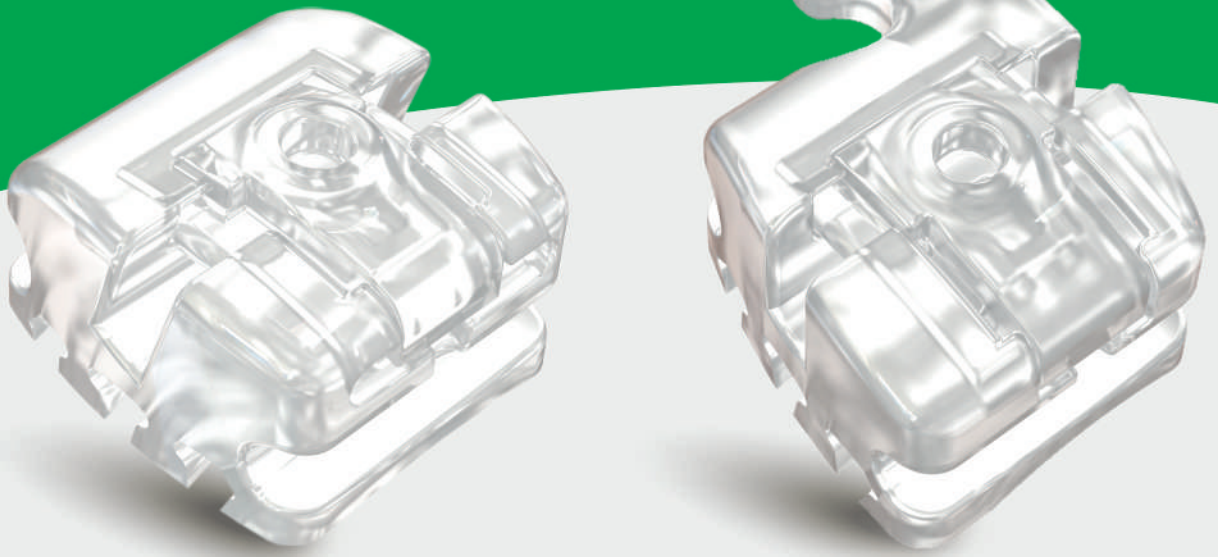
Slot	.018" x .028"				05.07.1350	05.07.1350	05.07.1350	05.07.1350			
	.022" x .028"	05.08.1367	05.08.1365	05.08.1383					05.08.1373	05.08.1365	05.08.1367
quantity	5	5	5	5	5	5	5	5	5	5	5

Slide H5 Clear[®]

Passive Self-Ligating

100% aesthetic self-ligating bracket.

Roth and MBT



Totally
aesthetic and efficient!

Easy to open
and close

Easy bonding
and removal



BRACKETS

Slide H5 Clear

Passive Self-Ligating

ROTH PRESCRIPTION

Slot	Reference	Hooks on 3, 4 & 5
.022" x .028"	05.19.0390	20 brackets

	length	3 mm	3 mm	3 mm	2,7 mm	2,9 mm	2,9 mm	2,7 mm	3 mm	3 mm	3 mm
Torque		-7°	-7°	-11°	8°	12°	12°	8°	-11°	-7°	-7°
angle		0°	0°	0°	9°	5°	5°	9°	0°	0°	0°

Replacement

Slot	.022" x .028"	05.19.3814	05.19.3814	05.19.0313	05.19.0312	05.19.0311	05.19.0321	05.19.0322	05.19.0323	05.19.3824	05.19.3824
	quantity	1	1	1	1	1	1	1	1	1	1
		5	4	3	2	1	1	2	3	4	5
		15	14	13	12	11	21	22	23	24	25
Upper											
Lower											
		45	44	43	42	41	31	32	33	34	35
		5	4	3	2	1	1	2	3	4	5

	length	3 mm	3 mm	2,9 mm	2,7 mm	2,7 mm	2,7 mm	2,7 mm	2,9 mm	3 mm	3 mm
Torque		-22°	-17°	-11°	0°	0°	0°	0°	-11°	-17°	-22°
angle		0°	0°	5°	0°	0°	0°	0°	5°	0°	0°

Replacement

Slot	.022" x .028"	05.19.0345	05.19.0344	05.19.0343	05.19.0350	05.19.0350	05.19.0350	05.19.0350	05.19.0333	05.19.0334	05.19.0335
	quantity	1	1	1	1	1	1	1	1	1	1

Slide H5 Clear

Passive Self-Ligating

MBT PRESCRIPTION

Slot	Reference	Hooks on 3, 4 & 5
.022" x .028"	05.19.0890	20 brackets

	length	3 mm	3 mm	3 mm	2,7 mm	2,9 mm	2,9 mm	2,7 mm	3 mm	3 mm	3 mm
Torque		-7°	-7°	-7°	10°	17°	17°	10°	-7°	-7°	-7°
angle		0°	0°	8°	8°	5°	5°	8°	8°	0°	0°

Replacement

Slot	.022" x .028"	05.19.3814	05.19.3814	05.19.0813	05.19.0812	05.19.0811	05.19.0821	05.19.0822	05.19.0823	05.19.3824	05.19.3824
	quantity	1	1	1	1	1	1	1	1	1	1
		5	4	3	2	1	1	2	3	4	5
		15	14	13	12	11	21	22	23	24	25
Upper											
Lower											
		45	44	43	42	41	31	32	33	34	35
		5	4	3	2	1	1	2	3	4	5

	length	3 mm	3 mm	2,9 mm	2,7 mm	2,7 mm	2,7 mm	2,7 mm	2,9 mm	3 mm	3 mm
Torque		-17°	-12°	-6°	-6°	-6°	-6°	-6°	-6°	-12°	-17°
angle		2°	2°	3°	0°	0°	0°	0°	3°	2°	2°

Replacement

Slot	.022" x .028"	05.19.0845	05.19.0844	05.19.0843	05.19.0850	05.19.0850	05.19.0850	05.19.0850	05.19.0833	05.19.0834	05.18.0335
	quantity	1	1	1	1	1	1	1	1	1	1

Active Clear[®]

Ceramic Interactive Self-Ligating

The *latest aesthetics* allied to the *most efficient* interactive system.

Characteristics

- Translucent, highest quality material;
- Rounded corners for patient comfort;
- Mini twin design, easy bonding;
- Low profile and contoured ties;
- High quality Rhodium coated clip;
- Non - removable clip;
- Unique bonding base (superior bond strength).



ROTH PRESCRIPTION

Active Clear[®]

Slot	Reference	Hooks on 3, 4 & 5
.022" x .028"	05.18.0390	20 brackets

	3,1 mm	3,1 mm	3,4 mm	2,9 mm	3,4 mm	3,4 mm	2,9 mm	3,4 mm	3,1 mm	3,1 mm
length	3,1 mm	3,1 mm	3,4 mm	2,9 mm	3,4 mm	3,4 mm	2,9 mm	3,4 mm	3,1 mm	3,1 mm
Torque	-7°	-7°	0°	8°	12°	12°	8°	0°	-7°	-7°
angle	0°	0°	11°	9°	5°	5°	9°	11°	0°	0°

Replacement

Slot	.022" x .028"	05.18.0314	05.18.0314	05.18.0313	05.18.0312	05.18.0311	05.18.0321	05.18.0322	05.18.0323	05.18.0324	05.18.0324
	quantity	1	1	1	1	1	1	1	1	1	1
		5	4	3	2	1	1	2	3	4	5
		15	14	13	12	11	21	22	23	24	25
Upper											
Lower											
		45	44	43	42	41	31	32	33	34	35
		5	4	3	2	1	1	2	3	4	5

	3,1 mm	3,1 mm	3,4 mm	2,5 mm	2,5 mm	2,5 mm	2,5 mm	3,4 mm	3,1 mm	3,1 mm
length	3,1 mm	3,1 mm	3,4 mm	2,5 mm	2,5 mm	2,5 mm	2,5 mm	3,4 mm	3,1 mm	3,1 mm
Torque	-22°	-17°	-11°	0°	0°	0°	0°	-11°	-17°	-22°
angle	0°	0°	5°	0°	0°	0°	0°	5°	0°	0°

Replacement

Slot	.022" x .028"	05.18.0345	05.18.0344	05.18.0343	05.18.0350	05.18.0350	05.18.0350	05.18.0350	05.18.0333	05.18.0334	05.18.0335
	quantity	1	1	1	1	1	1	1	1	1	1

SAFIRA®

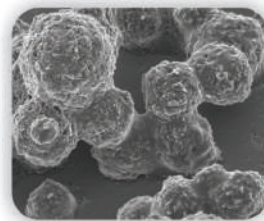
Better aesthetic with greater comfort
for the patient.



PATIENT'S COMFORT



ANATOMICAL BASE



MAXIMUM RETENTION



BEST AESTHETIC



KIT 5x5

Characteristics:

- * High quality monocrystalline sapphire;
- * Diamond and heat polished slot for superior sliding mechanics;
- * Available in Roth and MBT.

AESTHETIC

ROTH PRESCRIPTION

SAFIRA®

Slot	Reference	Hooks on 3, 4 & 5
.018" x .028"	05.16.0390	20 brackets
.022" x .028"	05.15.0390	20 brackets

	length	3,3 mm	3,3 mm	3,3 mm	2,7 mm	3,1 mm	3,1 mm	2,7 mm	3,3 mm	3,3 mm	3,3 mm
Torque		-7°	-7°	0°	8°	12°	12°	8°	0°	-7°	-7°
angle		0°	0°	11°	9°	5°	5°	9°	11°	0°	0°

Replacement

Slot	.018" x .028"	05.16.3814	05.16.3814	05.16.0313	05.16.0312	05.16.0311	05.16.0321	05.16.0322	05.16.0323	05.16.3824	05.16.3824
	.022" x .028"	05.15.3814	05.15.3814	05.15.0313	05.15.0312	05.15.0311	05.15.0321	05.15.0322	05.15.0323	05.15.3824	05.15.3824
	quantity	1	1	1	1	1	1	1	1	1	1

		5	4	3	2	1	1	2	3	4	5
		15	14	13	12	11	21	22	23	24	25
Upper											
Lower											
		45	44	43	42	41	31	32	33	34	35
		5	4	3	2	1	1	2	3	4	5

	length	3,3 mm	3,3 mm	3,2 mm	2,6 mm	2,6 mm	2,6 mm	2,6 mm	3,2 mm	3,3 mm	3,3 mm
Torque		-22°	-17°	-11°	0°	0°	0°	0°	-11°	-17°	-22°
angle		0°	0°	5°	0°	0°	0°	0°	5°	0°	0°

Replacement

Slot	.018" x .028"	05.16.0345	05.16.0344	05.16.0343	05.16.0350	05.16.0350	05.16.0350	05.16.0350	05.16.0333	05.16.0334	05.16.0335
	.022" x .028"	05.15.0345	05.15.0344	05.15.0343	05.15.0350	05.15.0350	05.15.0350	05.15.0350	05.15.0333	05.15.0334	05.15.0335
	quantity	1	1	1	1	1	1	1	1	1	1

SAFIRA®

MBT PRESCRIPTION

Slot	Reference	Hooks on 3, 4 & 5
.018" x .022"	05.16.0890	20 brackets
.022" x .028"	05.15.0890	20 brackets

	length	3,3 mm	3,3 mm	3,3 mm	2,7 mm	3,1 mm	3,1 mm	2,7 mm	3,3 mm	3,3 mm	3,3 mm
Torque		-7°	-7°	-7°	10°	17°	17°	10°	-7°	-7°	-7°
angle		0°	0°	8°	8°	4°	4°	8°	8°	0°	0°

Replacement

Slot	.018" x .028"	05.16.3814	05.16.3814	05.16.0813	05.16.0812	05.16.0811	05.16.0821	05.16.0822	05.16.0823	05.16.3824	05.16.3824
	.022" x .028"	05.15.3814	05.15.3814	05.15.0813	05.15.0812	05.15.0811	05.15.0821	05.15.0822	05.15.0823	05.15.3824	05.15.3824
	quantity	1	1	1	1	1	1	1	1	1	1

		5	4	3	2	1	1	2	3	4	5
		15	14	13	12	11	21	22	23	24	25
Upper											
Lower											
		45	44	43	42	41	31	32	33	34	35
		5	4	3	2	1	1	2	3	4	5

	length	3,3 mm	3,3 mm	3,2 mm	2,6 mm	2,6 mm	2,6 mm	2,6 mm	3,2 mm	3,3 mm	3,3 mm
Torque		-17°	-12°	-6°	-6°	-6°	-6°	-6°	-6°	-12°	-17°
angle		0°	0°	3°	0°	0°	0°	0°	3°	0°	0°

Replacement

Slot	.018" x .028"	05.16.0845	05.16.0844	05.16.0843	05.16.0850	05.16.0850	05.16.0850	05.16.0850	05.16.0833	05.16.0834	05.16.0835
	.022" x .028"	05.15.0845	05.15.0844	05.15.0843	05.15.0850	05.15.0850	05.15.0850	05.15.0850	05.15.0833	05.15.0834	05.15.0835
	quantity	1	1	1	1	1	1	1	1	1	1

TRANSLUX[®]

CERAMIC



Translux is the perfect alternative for aesthetic treatment. The Translux brackets are manufactured with ceramic material of high quality. Very easy to remove due to mechanical retention in the base. The Translux slots are specially polished with diamond wheels to improve the sliding properties. The Translux size is the result of the design optimization, associating a reproduced dimension part with aesthetic effect and comfort to the patient.

MAIN FEATURES

Manufactured in pure polycrystalline alumina (99,9%) and with uniformity in the particles size, provide the maximum translucence, superior mechanical resistance, merging naturally on any enamel tone.



MODERN DESIGN

With external contour and rounded edges bringing comfort and visual aesthetic to the patient.

LOWER PROFILE

HIGH QUALITY BASE

With composed shaft providing a perfect adaptation

TRANSLUCENCY

Providing an excellent aesthetic.

AMPLE UNDER TIE-WING SPACE

TORQUE IN THE BASE

MECHANICAL RETENTION

ROTH PRESCRIPTION

TRANSLUX[®]
CERAMIC

Slot	Reference	Hooks on 3, 4 & 5									
.018" x .028"	05.02.0390	20 brackets									
.022" x .028"	05.03.0390	20 brackets									
length	3,2 mm	3,2 mm	3,3 mm	3,2 mm	3,6 mm	3,6 mm	3,2 mm	3,3 mm	3,2 mm	3,2 mm	
Torque angle	-7°	-7°	0°	8°	12°	12°	8°	0°	-7°	-7°	
angle	0°	0°	11°	9°	5°	5°	9°	11°	0°	0°	

Replacement

Slot	Reference	Reference	Reference	Reference	Reference	Reference	Reference	Reference	Reference	Reference	Reference
.018" x .028"	05.02.3814	05.02.3814	05.02.0313	05.02.0312	05.02.0311	05.02.0321	05.02.0322	05.02.0323	05.02.3824	05.02.3824	
	05.03.3814	05.03.3814	05.03.0313	05.03.0312	05.03.0311	05.03.0321	05.03.0322	05.03.0323	05.03.3824	05.03.3824	
quantity	1	1	1	1	1	1	1	1	1	1	
	5	4	3	2	1	1	2	3	4	5	
	15	14	13	12	11	21	22	23	24	25	
Upper											
Lower											
	45	44	43	42	41	31	32	33	34	35	
	5	4	3	2	1	1	2	3	4	5	
length	3,2 mm	3,2 mm	3,4mm	2,9 mm	2,9 mm	2,9 mm	2,9 mm	3,4 mm	3,2 mm	3,2 mm	
Torque angle	-22°	-17°	-11°	0°	0°	0°	0°	-11°	-17°	-22°	
angle	0°	0°	5°	0°	0°	0°	0°	5°	0°	0°	

Replacement

Slot	Reference	Reference	Reference	Reference	Reference	Reference	Reference	Reference	Reference	Reference
.018" x .028"	05.02.0345	05.02.0344	05.02.0343	05.02.3150	05.02.3150	05.02.3150	05.02.3150	05.02.0333	05.02.0334	05.02.0335
.022" x .028"	05.03.0345	05.03.0344	05.03.0343	05.03.3150	05.03.3150	05.03.3150	05.03.3150	05.03.0333	05.03.0334	05.03.0335
quantity	1	1	1	1	1	1	1	1	1	1

AESTHETIC

MBT PRESCRIPTION

TRANSLUX[®]
CERAMIC

Slot	Reference	Hooks on 3, 4 & 5
.018" x .028"	05.02.0890	20 brackets
.022" x .028"	05.03.0890	20 brackets

	length	3,2 mm	3,2 mm	3,3 mm	3,2 mm	3,6 mm	3,6 mm	3,2 mm	3,3 mm	3,2 mm	3,2 mm
Torque		-7°	-7°	-7°	10°	17°	17°	10°	-7°	-7°	-7°
angle		0°	0°	8°	8°	4°	4°	8°	8°	0°	0°

Replacement

Slot	.018" x .028"	05.02.3814	05.02.3814	05.02.0813	05.02.0812	05.02.0811	05.02.0821	05.02.0822	05.02.0823	05.02.3824	05.02.3824
	.022" x .028"	05.03.3814	05.03.3814	05.03.0813	05.03.0812	05.03.0811	05.03.0821	05.03.0822	05.03.0823	05.03.3824	05.03.3824
quantity		1	1	1	1	1	1	1	1	1	1

		5	4	3	2	1	1	2	3	4	5
		15	14	13	12	11	21	22	23	24	25
Upper											
Lower											
		45	44	43	42	41	31	32	33	34	35
		5	4	3	2	1	1	2	3	4	5

	length	3,2 mm	3,2 mm	3,4mm	2,9 mm	2,9 mm	2,9 mm	2,9 mm	3,4 mm	3,2 mm	3,2 mm
Torque		-17°	-12°	-6°	-6°	-6°	-6°	-6°	-6°	-12°	-17°
angle		0°	0°	3°	0°	0°	0°	0°	3°	0°	0°

Replacement

Slot	.018" x .028"	05.02.0845	05.02.0844	05.02.0843	05.02.0850	05.02.0850	05.02.0850	05.02.0850	05.02.0833	05.02.0834	05.02.0835
	.022" x .028"	05.03.0845	05.03.0844	05.03.0843	05.03.0850	05.03.0850	05.03.0850	05.03.0850	05.03.0833	05.03.0834	05.03.0835
quantity		1	1	1	1	1	1	1	1	1	1

PATTERN I PRESCRIPTION

TRANSLUX[®]
CERAMIC

Slot	Reference	Hooks on 3, 4 & 5
.022" x .028"	05.03.0590	20 brackets

	length	3,2 mm	3,2 mm	3,4 mm	3,1 mm	3,8 mm	3,8 mm	3,1 mm	3,4 mm	3,2 mm	3,2 mm
Torque		-7°	-7°	-5°	3°	7°	7°	3°	-5°	-7°	-7°
angle		0°	0°	8°	9°	5°	5°	9°	8°	0°	0°

Replacement

Slot	.022" x .028"	05.03.0016	05.03.0016	05.03.0513	05.03.2612	05.03.2611	05.03.2621	05.03.2622	05.03.0523	05.03.0016	05.03.0016
	quantity	1	1	1	1	1	1	1	1	1	1

		5	4	3	2	1	1	2	3	4	5
		15	14	13	12	11	21	22	23	24	25
Upper											
Lower											
		45	44	43	42	41	31	32	33	34	35
		5	4	3	2	1	1	2	3	4	5

	length	3,3 mm	3,3 mm	3,4 mm	2,8 mm	2,8 mm	2,8 mm	2,8 mm	3,4 mm	3,3 mm	3,3 mm
Torque		-22°	-17°	-11°	-1°	-1°	-1°	-1°	-11°	-17°	-22°
angle		2°	2°	5°	2°	2°	2°	2°	5°	2°	2°

Replacement

Slot	.022" x .028"	05.03.0048	05.03.0038	05.03.5643	05.03.0540	05.03.0540	05.03.0530	05.03.0530	05.03.5633	05.03.0038	05.03.0048
	quantity	1	1	1	1	1	1	1	1	1	1

Slot	Reference	Hooks on 3, 4 & 5
.022" x .028"	05.03.0690	20 brackets

	length	3,2 mm	3,2 mm	3,4 mm	3,1 mm	3,8 mm	3,8 mm	3,1 mm	3,4 mm	3,2 mm	3,2 mm
Torque		-7°	-7°	-5°	3°	7°	7°	3°	-5°	-7°	-7°
angle		0°	0°	5°	9°	5°	5°	9°	5°	0°	0°

Replacement

Slot	.022" x .028"	05.03.0016	05.03.0016	05.03.0613	05.03.2612	05.03.2611	05.03.2621	05.03.2622	05.03.0623	05.03.0016	05.03.0016
		quantity	1	1	1	1	1	1	1	1	1
		5	4	3	2	1	1	2	3	4	5
		15	14	13	12	11	21	22	23	24	25
Upper											
Lower											
		45	44	43	42	41	31	32	33	34	35
		5	4	3	2	1	1	2	3	4	5

	length	3,3 mm	3,3 mm	3,4 mm	2,8 mm	2,8 mm	2,8 mm	2,8 mm	3,4 mm	3,3 mm	3,3 mm
Torque		-22°	-17°	-11°	4°	4°	4°	4°	-11°	-17°	-22°
angle		2°	2°	5°	2°	2°	2°	2°	5°	2°	2°

Replacement

Slot	.022" x .028"	05.03.0048	05.03.0038	05.03.5643	05.03.0640	05.03.0640	05.03.0630	05.03.0630	05.03.5633	05.03.0038	05.03.0048
quantity		1	1	1	1	1	1	1	1	1	1

Slot	Reference	Hooks on 3, 4 & 5
.022" x .028"	05.03.0790	20 brackets

	length	3,2 mm	3,2 mm	3,4 mm	3,1 mm	3,8 mm	3,8 mm	3,1 mm	3,4 mm	3,2 mm	3,2 mm
Torque		-7°	-7°	-2°	10°	14°	14°	10°	-2°	-7°	-7°
angle		0°	0°	11°	9°	5°	5°	9°	11°	0°	0°

Replacement

Slot	.022" x .028"	05.03.0016	05.03.0016	05.03.0713	05.03.0712	05.03.0711	05.03.0721	05.03.0722	05.03.0723	05.03.0016	05.03.0016
		quantity	1	1	1	1	1	1	1	1	1
		5	4	3	2	1	1	2	3	4	5
		15	14	13	12	11	21	22	23	24	25
Upper											
Lower											
		45	44	43	42	41	31	32	33	34	35
		5	4	3	2	1	1	2	3	4	5

	length	3,3 mm	3,3 mm	3,4 mm	2,8 mm	2,8 mm	2,8 mm	2,8 mm	3,4 mm	3,3 mm	3,3 mm
Torque		-22°	-17°	-11°	-6°	-6°	-6°	-6°	-11°	-17°	-22°
angle		2°	2°	0°	0°	0°	0°	0°	0°	2°	2°

Replacement

Slot	.022" x .028"	05.03.0048	05.03.0038	05.03.0743	05.03.0750	05.03.0750	05.03.0750	05.03.0750	05.03.0733	05.03.0038	05.03.0048
quantity		1	1	1	1	1	1	1	1	1	1

AESTHETIC RICKETTS PRESCRIPTION

TRANSLUX[®]
CERAMIC

Slot	Reference	Hooks on 3, 4 & 5
.018" x .028"	05.02.0990	20 brackets

	3,2 mm	3,2 mm	3,4 mm	3,1 mm	3,8 mm	3,8 mm	3,1 mm	3,4 mm	3,2 mm	3,2 mm
length	3,2 mm	3,2 mm	3,4 mm	3,1 mm	3,8 mm	3,8 mm	3,1 mm	3,4 mm	3,2 mm	3,2 mm
Torque	0°	0°	7°	14°	22°	22°	14°	7°	0°	0°
angle	0°	0°	5°	9°	5°	5°	9°	5°	0°	0°

Replacement

Slot	.018" x .028"	05.02.0916	05.02.0916	05.02.0913	05.02.0912	05.02.0911	05.02.0921	05.02.0922	05.02.0923	05.02.0916	05.02.0916
quantity	1	1	1	1	1	1	1	1	1	1	1
	5	4	3	2	1	1	2	3	4	5	
	15	14	13	12	11	21	22	23	24	25	
Upper											
Lower											
	45	44	43	42	41	31	32	33	34	35	
	5	4	3	2	1	1	2	3	4	5	
length	3,3 mm	3,3 mm	3,4 mm	2,8 mm	2,8 mm	2,8 mm	2,8 mm	3,4 mm	3,3 mm	3,3 mm	
Torque	-17°	0°	7°	0°	0°	0°	0°	7°	0°	-17°	
angle	0°	0°	5°	0°	0°	0°	0°	5°	0°	0°	

Replacement

Slot	.018" x .028"	05.02.0948	05.02.0938	05.02.0943	05.02.0950	05.02.0950	05.02.0950	05.02.0950	05.02.0933	05.02.0938	05.02.0948
quantity	1	1	1	1	1	1	1	1	1	1	1

TRANSLUX[®]
CERAMIC

EDGEWISE PRESCRIPTION

Slot	Reference	Hooks on 3, 4 & 5
.022" x .028"	05.03.0191	20 brackets

	3,2 mm	3,2 mm	3,5 mm	3,3 mm	3,6 mm	3,6 mm	3,3 mm	3,5 mm	3,2 mm	3,2 mm
length	3,2 mm	3,2 mm	3,5 mm	3,3 mm	3,6 mm	3,6 mm	3,3 mm	3,5 mm	3,2 mm	3,2 mm
Torque	0°	0°	0°	0°	0°	0°	0°	0°	0°	0°
angle	0°	0°	0°	0°	0°	0°	0°	0°	0°	0°

Replacement

Slot	.022" x .028"	05.03.0160	05.03.0160	05.03.0113	05.03.0120	05.03.0110	05.03.0110	05.03.0120	05.03.0123	05.03.0160	05.03.0160
quantity	1	1	1	1	1	1	1	1	1	1	1
	5	4	3	2	1	1	2	3	4	5	
	15	14	13	12	11	21	22	23	24	25	
Upper											
Lower											
	45	44	43	42	41	31	32	33	34	35	
	5	4	3	2	1	1	2	3	4	5	
length	3,2 mm	3,2 mm	3,2 mm	3,0 mm	3,0 mm	3,0 mm	3,0 mm	3,2 mm	3,2 mm	3,2 mm	
Torque	0°	0°	0°	0°	0°	0°	0°	0°	0°	0°	
angle	0°	0°	0°	0°	0°	0°	0°	0°	0°	0°	

Replacement

Slot	.022" x .028"	05.03.0160	05.03.0160	05.03.0143	05.03.3150	05.03.3150	05.03.3150	05.03.3150	05.03.0133	05.03.0160	05.03.0160
quantity	1	1	1	1	1	1	1	1	1	1	1

VECTOR[®]

VECTOR SYSTEM

Classic design

Available in all prescriptions

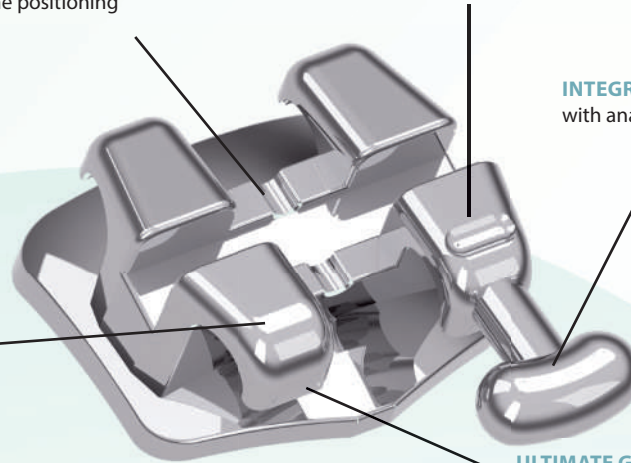


MIDLINE MATCHES THE LONG AXIS OF THE CLINICAL CROWN
to facilitate the positioning

PERMANENT IDENTIFICATION MARKING



ROUNDED EDGES
more comfort for the patient



INTEGRATED HOOK
with anatomical rounded format

ULTIMATE GENERATION BRAZING SYSTEM
ensuring a perfect joint between the bonding base and the slot

MAIN FEATURES

The use of 17-4 surgical stainless steel alloy allows to reduce the size of brackets up to 30%, due to the high resistance of the material.
80 gauge foil mesh bonding base

METALLIC VECTOR[®]

ROTH PRESCRIPTION

Slot	Reference	Hooks on 3, 4 & 5
.018" x .028"	05.09.0390	20 brackets
.022" x .028"	05.10.0390	20 brackets

Variation of the kits: 05.09.0391 - Hooks on 3 .018" 05.10.0391 - Hooks on 3 .022"
05.09.0306 - No Hooks .018" 05.10.0306 - No Hooks .022"

	3,2 mm	3,2 mm	3,5 mm	3,2 mm	3,9 mm	3,9 mm	3,2 mm	3,5 mm	3,2 mm	3,2 mm
length	3,2 mm	3,2 mm	3,5 mm	3,2 mm	3,9 mm	3,9 mm	3,2 mm	3,5 mm	3,2 mm	3,2 mm
Torque	-7°	-7°	0°	8°	12°	12°	8°	0°	-7°	-7°
angle	0°	0°	11°	9°	5°	5°	9°	11°	0°	0°

Replacement

Slot	.018" x .028"	05.09.3414	05.09.3414	05.09.0313	05.09.0312	05.09.0311	05.09.0321	05.09.0322	05.09.0323	05.09.3424	05.09.3424
	.022" x .028"	05.10.3414	05.10.3414	05.10.0313	05.10.0312	05.10.0311	05.10.0321	05.10.0322	05.10.0323	05.10.3424	05.10.3424
quantity	10	10	10	10	10	10	10	10	10	10	10
	5	4	3	2	1	1	2	3	4	5	
	15	14	13	12	11	21	22	23	24	25	
Upper											
Lower											
	45	44	43	42	41	31	32	33	34	35	
	5	4	3	2	1	1	2	3	4	5	
length	3,3 mm	3,3 mm	3,5 mm	2,5 mm	2,5 mm	2,5 mm	2,5 mm	3,5 mm	3,3 mm	3,3 mm	
Torque	-22°	-17°	-11°	0°	0°	0°	0°	-11°	-17°	-22°	
angle	0°	0°	5°	0°	0°	0°	0°	5°	0°	0°	

Replacement

Slot	.018" x .028"	05.09.3245	05.09.3244	05.09.3643	05.09.3350	05.09.3350	05.09.3350	05.09.3350	05.09.3633	05.09.3234	05.09.3235
	.022" x .028"	05.10.3245	05.10.3244	05.10.3643	05.10.3350	05.10.3350	05.10.3350	05.10.3350	05.10.3633	05.10.3234	05.10.3235
quantity	10	10	10	10	10	10	10	10	10	10	10

VECTOR[®]

MBT PRESCRIPTION

Slot	Reference	Hooks on 3, 4 & 5
.018" x .028"	05.09.0890	20 brackets
.022" x .028"	05.10.0890	20 brackets

Variation of the kits: 05.09.0891 - Hooks on 3 .018" 05.10.0891 - Hooks on 3 .022"
05.09.0806 - No Hooks .018" 05.10.0806 - No Hooks .022"

	length	3,2 mm	3,2 mm	3,5 mm	3,2 mm	3,9 mm	3,9 mm	3,2 mm	3,5 mm	3,2 mm	3,2 mm
Torque		-7°	-7°	-7°	10°	17°	17°	10°	-7°	-7°	-7°
angle		0°	0°	8°	8°	4°	4°	8°	8°	0°	0°

Replacement

Slot	.018" x .028"	05.09.3414	05.09.3414	05.09.0813	05.09.0812	05.09.0811	05.09.0821	05.09.0822	05.09.0823	05.09.3424	05.09.3424
	.022" x .028"	05.10.3414	05.10.3414	05.10.0813	05.10.0812	05.10.0811	05.10.0821	05.10.0822	05.10.0823	05.10.3424	05.10.3424
quantity		10	10	10	10	10	10	10	10	10	10
		5	4	3	2	1	1	2	3	4	5
		15	14	13	12	11	21	22	23	24	25
Upper											
Lower											
		45	44	43	42	41	31	32	33	34	35
		5	4	3	2	1	1	2	3	4	5

	length	3,3 mm	3,3 mm	3,5 mm	2,5 mm	2,5 mm	2,5 mm	2,5 mm	3,5 mm	3,3 mm	3,3 mm
Torque		-17°	-12°	-6°	-6°	-6°	-6°	-6°	-6°	-12°	-17°
angle		0°	0°	3°	0°	0°	0°	0°	3°	0°	0°

Replacement

Slot	.018" x .028"	05.09.8945	05.09.0844	05.09.0843	05.09.0850	05.09.0850	05.09.0850	05.09.0850	05.09.0833	05.09.0834	05.09.8935
	.022" x .028"	05.10.8945	05.10.0844	05.10.0843	05.10.0850	05.10.0850	05.10.0850	05.10.0850	05.10.0833	05.10.0834	05.10.8935
quantity		10	10	10	10	10	10	10	10	10	10

PATTERN I PRESCRIPTION

METALLIC

VECTOR[®]

Slot	Reference	Hooks on 3, 4 & 5
.018" x .028"	05.09.0590	20 brackets
.022" x .028"	05.10.0590	20 brackets

Variation of the kits: 05.09.0591 - Hooks on 3 .018" 05.10.0591 - Hooks on 3 .022"
05.09.0506 - No Hooks .018" 05.10.0506 - No Hooks .022"

	length	3,2 mm	3,2 mm	3,5 mm	3,2 mm	3,9 mm	3,9 mm	3,2 mm	3,5 mm	3,2 mm	3,2 mm
Torque		-7°	-7°	-5°	3°	7°	7°	3°	-5°	-7°	-7°
angle		0°	0°	8°	9°	5°	5°	9°	8°	0°	0°

Replacement

Slot	.018" x .028"	05.09.3414	05.09.3414	05.09.0513	05.09.2612	05.09.2611	05.09.2621	05.09.2622	05.09.0523	05.09.3424	05.09.3424
	.022" x .028"	05.10.3414	05.10.3414	05.10.0513	05.10.2612	05.10.2611	05.10.2621	05.10.2622	05.10.0523	05.10.3424	05.10.3424
quantity		10	10	10	10	10	10	10	10	10	10
		5	4	3	2	1	1	2	3	4	5
		15	14	13	12	11	21	22	23	24	25
Upper											
Lower											
		45	44	43	42	41	31	32	33	34	35
		5	4	3	2	1	1	2	3	4	5

	length	3,3 mm	3,3 mm	3,5 mm	2,5 mm	2,5 mm	2,5 mm	2,5 mm	3,5 mm	3,3 mm	3,3 mm
Torque		-22°	-17°	-11°	-1°	-1°	-1°	-1°	-11°	-17°	-22°
angle		2°	2°	5°	2°	2°	2°	2°	5°	2°	2°

Replacement

Slot	.018" x .028"	05.09.0045	05.09.0044	05.09.3643	05.09.0540	05.09.0540	05.09.0530	05.09.0530	05.09.3633	05.09.0034	05.09.0035
	.022" x .028"	05.10.0045	05.10.0044	05.10.3643	05.10.0540	05.10.0540	05.10.0530	05.10.0530	05.10.3633	05.10.0034	05.10.0035
quantity		10	10	10	10	10	10	10	10	10	10

BRACKETS

PATTERN II PRESCRIPTION

VECTOR®

Slot	Reference	Hooks on 3, 4 & 5
.018" x .028"	05.09.0690	20 brackets
.022" x .028"	05.10.0690	20 brackets

Variation of the kits:	05.09.0691 - Hooks on 3 .018"					05.10.0691 - Hooks on 3 .022"				
	05.09.0606 - No Hooks .018"					05.10.0606 - No Hooks .022"				

	length	3,2 mm	3,2 mm	3,5 mm	3,2 mm	3,9 mm	3,9 mm	3,2 mm	3,5 mm	3,2 mm	3,2 mm
Torque		-7°	-7°	-5°	3°	7°	7°	3°	-5°	-7°	-7°
angle		0°	0°	5°	9°	5°	5°	9°	5°	0°	0°

Replacement

Slot	.018" x .028"	05.09.3414	05.09.3414	05.09.0613	05.09.2612	05.09.2611	05.09.2621	05.09.2622	05.09.0623	05.09.3424	05.09.3424
	.022" x .028"	05.10.3414	05.10.3414	05.10.0613	05.10.2612	05.10.2611	05.10.2621	05.10.2622	05.10.0623	05.10.3424	05.10.3424
quantity		10	10	10	10	10	10	10	10	10	10

		5	4	3	2	1	1	2	3	4	5
		15	14	13	12	11	21	22	23	24	25
Upper											
Lower											
		45	44	43	42	41	31	32	33	34	35
		5	4	3	2	1	1	2	3	4	5

	length	3,3 mm	3,3 mm	3,5 mm	2,5 mm	2,5 mm	2,5 mm	2,5 mm	3,5 mm	3,3 mm	3,3 mm
Torque		-22°	-17°	-11°	4°	4°	4°	4°	-11°	-17°	-22°
angle		2°	2°	5°	2°	2°	2°	2°	5°	2°	2°

Replacement

Slot	.018" x .028"	05.09.0045	05.09.0044	05.09.3643	05.09.0640	05.09.0640	05.09.0630	05.09.0630	05.09.3633	05.09.0034	05.09.0035
	.022" x .028"	05.10.0045	05.10.0044	05.10.3643	05.10.0640	05.10.0640	05.10.0630	05.10.0630	05.10.3633	05.10.0034	05.10.0035
quantity		10	10	10	10	10	10	10	10	10	10

METALLIC

VECTOR®

PATTERN III PRESCRIPTION

Slot	Reference	Hooks on 3, 4 & 5
.018" x .028"	05.09.0790	20 brackets
.022" x .028"	05.10.0790	20 brackets

Variation of the kits:	05.09.0791 - Hooks on 3 .018"					05.10.0791 - Hooks on 3 .022"				
	05.09.0706 - No Hooks .018"					05.10.0706 - No Hooks .022"				

	length	3,2 mm	3,2 mm	3,5 mm	3,2 mm	3,9 mm	3,9 mm	3,2 mm	3,5 mm	3,2 mm	3,2 mm
Torque		-7°	-7°	-2°	10°	14°	14°	10°	-2°	-7°	-7°
angle		0°	0°	11°	9°	5°	5°	9°	11°	0°	0°

Replacement

Slot	.018" x .028"	05.09.3414	05.09.3414	05.09.2713	05.09.0712	05.09.0711	05.09.0721	05.09.0722	05.09.2723	05.09.3424	05.09.3424
	.022" x .028"	05.10.3414	05.10.3414	05.10.2713	05.10.0712	05.10.0711	05.10.0721	05.10.0722	05.10.2723	05.10.3424	05.10.3424
quantity		10	10	10	10	10	10	10	10	10	10

		5	4	3	2	1	1	2	3	4	5
		15	14	13	12	11	21	22	23	24	25
Upper											
Lower											
		45	44	43	42	41	31	32	33	34	35
		5	4	3	2	1	1	2	3	4	5

	length	3,3 mm	3,3 mm	3,5 mm	2,5 mm	2,5 mm	2,5 mm	2,5 mm	3,5 mm	3,3 mm	3,3 mm
Torque		-22°	-17°	-11°	-6°	-6°	-6°	-6°	-11°	-17°	-22°
angle		2°	2°	0°	0°	0°	0°	0°	0°	2°	2°

Replacement

Slot	.018" x .028"	05.09.0045	05.09.0044	05.09.0743	05.09.0750	05.09.0750	05.09.0750	05.09.0750	05.09.0733	05.09.0034	05.09.0035
	.022" x .028"	05.10.0045	05.10.0044	05.10.0743	05.10.0750	05.10.0750	05.10.0750	05.10.0750	05.10.0733	05.10.0034	05.10.0035
quantity		10	10	10	10	10	10	10	10	10	10

VECTOR®

RICKETTS PRESCRIPTION

Slot	Reference	Hooks on 3, 4 & 5
.018" x .028"	05.09.0990	20 brackets
.022" x .028"	05.10.0990	20 brackets

Variation of the kits:	05.09.0991 - Hooks on 3 .018 05.09.0906 - No Hooks .018	05.10.0991 - Hooks on 3 .022 05.10.0906 - No Hooks .022
------------------------	--	--

	length	3,2 mm	3,2 mm	3,5 mm	3,2 mm	3,9 mm	3,9 mm	3,2 mm	3,5 mm	3,2 mm	3,2 mm
Torque		0°	0°	7°	14°	22°	22°	14°	7°	0°	0°
angle		0°	0°	5°	9°	5°	5°	9°	5°	0°	0°

Replacement

Slot	.018" x .028"	05.09.0914	05.09.0914	05.09.0913	05.09.0912	05.09.0911	05.09.0921	05.09.0922	05.09.0923	05.09.0924	05.09.0924
	.022" x .028"	05.10.0914	05.10.0914	05.10.0913	05.10.0912	05.10.0911	05.10.0921	05.10.0922	05.10.0923	05.10.0924	05.10.0924
quantity		10	10	10	10	10	10	10	10	10	10
		5	4	3	2	1	1	2	3	4	5
		15	14	13	12	11	21	22	23	24	25
Upper											
Lower											
		45	44	43	42	41	31	32	33	34	35
		5	4	3	2	1	1	2	3	4	5
length		3,3 mm	3,3 mm	3,5 mm	2,5 mm	2,5 mm	2,5 mm	2,5 mm	3,5 mm	3,3 mm	3,3 mm
Torque		-17°	0°	7°	0°	0°	0°	0°	7°	0°	-17°
angle		0°	0°	5°	0°	0°	0°	0°	5°	0°	0°

Replacement

Slot	.018" x .028"	05.09.8945	05.09.0944	05.09.0943	05.09.3350	05.09.3350	05.09.3350	05.09.3350	05.09.0933	05.09.0934	05.09.8935
	.022" x .028"	05.10.8945	05.10.0944	05.10.0943	05.10.3350	05.10.3350	05.10.3350	05.10.3350	05.10.0933	05.10.0934	05.10.8935
quantity		10	10	10	10	10	10	10	10	10	10

EDGEWISE PRESCRIPTION

VECTOR®

Slot	Reference	Hooks on 3, 4 & 5
.018" x .028"	05.09.0191	20 brackets
.022" x .028"	05.10.0191	20 brackets

	length	3,0 mm	3,0 mm	3,2 mm	3,1 mm	3,5 mm	3,5 mm	3,1 mm	3,2 mm	3,0 mm	3,0 mm
Torque		0°	0°	0°	0°	0°	0°	0°	0°	0°	0°
angle		0°	0°	0°	0°	0°	0°	0°	0°	0°	0°

Replacement

Slot	.018" x .028"	05.09.1955	05.09.1955	05.09.0113	05.09.0120	05.09.0110	05.09.0110	05.09.0120	05.09.0123	05.09.1955	05.09.1955
	.022" x .028"	05.10.1955	05.10.1955	05.10.0113	05.10.0120	05.10.0110	05.10.0110	05.10.0120	05.10.0123	05.10.1955	05.10.1955
quantity		10	10	10	10	10	10	10	10	10	10
		5	4	3	2	1	1	2	3	4	5
		15	14	13	12	11	21	22	23	24	25
Upper											
Lower											
		45	44	43	42	41	31	32	33	34	35
		5	4	3	2	1	1	2	3	4	5
length		3,0 mm	3,0 mm	3,0 mm	2,4 mm	3,4 mm	2,4 mm	2,4 mm	3,0 mm	3,0 mm	3,0 mm
Torque		0°	0°	0°	0°	0°	0°	0°	0°	0°	0°
angle		0°	0°	0°	0°	0°	0°	0°	0°	0°	0°

Replacement

Slot	.018" x .028"	05.09.1965	05.09.1965	05.09.0143	05.09.3350	05.09.3350	05.09.3350	05.09.3350	05.09.0133	05.09.1965	05.09.1965
	.022" x .028"	05.10.1965	05.10.1965	05.10.0143	05.10.3350	05.10.3350	05.10.3350	05.10.3350	05.10.0133	05.10.1965	05.10.1965
quantity		10	10	10	10	10	10	10	10	10	10

VERTICAL SLOT ROTH PRESCRIPTION

VECTOR®

Slot	Reference	Hooks on 3, 4 & 5
.018" x .028"	05.09.0490	20 brackets
.022" x .028"	05.10.0490	20 brackets

Variation of the kits: 05.09.0491 - Hooks on 3 .018"
05.09.0406 - No Hooks .018" 05.10.0491 - Hooks on 3 .022"
05.10.0406 - No Hooks .022"

length	3,2 mm	3,2 mm	3,5 mm	3,2 mm	3,9 mm	3,9 mm	3,2 mm	3,5 mm	3,2 mm	3,2 mm
Torque	-7°	-7°	0°	8°	12°	12°	8°	0°	-7°	-7°
angle	0°	0°	11°	9°	5°	5°	9°	11°	0°	0°

Replacement

Slot	.018" x .028"	05.09.0414	05.09.0414	05.09.0413	05.09.0412	05.09.0411	05.09.0421	05.09.0422	05.09.0423	05.09.0424	05.09.0424
	.022" x .028"	05.10.0414	05.10.0414	05.10.0413	05.10.0412	05.10.0411	05.10.0421	05.10.0422	05.10.0423	05.10.0424	05.10.0424
quantity	10	10	10	10	10	10	10	10	10	10	10
	5	4	3	2	1	1	2	3	4	5	
	15	14	13	12	11	21	22	23	24	25	
Upper											
Lower											
	45	44	43	42	41	31	32	33	34	35	
	5	4	3	2	1	1	2	3	4	5	

length	3,3 mm	3,3 mm	3,5 mm	2,5 mm	2,5 mm	2,5 mm	2,5 mm	3,5 mm	3,3 mm	3,3 mm
Torque	-22°	-17°	-11°	0°	0°	0°	0°	-11°	-17°	-22°
angle	0°	0°	5°	0°	0°	0°	0°	5°	0°	0°

Replacement

Slot	.018" x .028"	05.09.0445	05.09.0444	05.09.0443	05.09.0450	05.09.0450	05.09.0450	05.09.0450	05.09.0433	05.09.0434	05.09.0435
	.022" x .028"	05.10.0445	05.10.0444	05.10.0443	05.10.0450	05.10.0450	05.10.0450	05.10.0450	05.10.0433	05.10.0434	05.10.0435
quantity	10	10	10	10	10	10	10	10	10	10	10

JORGE RODRIGUES PRESCRIPTION

VECTOR®

Slot	Reference	Hooks on 3, 4 & 5
.022" x .028"	05.10.1490	20 brackets

length	3,2 mm	3,2 mm	3,5 mm	3,2 mm	3,9 mm	3,9 mm	3,2 mm	3,5 mm	3,2 mm	3,2 mm
Torque	-7°	-7°	7°	14°	22°	22°	14°	7°	-7°	-7°
angle	0°	0°	5°	9°	5°	5°	9°	5°	0°	0°

Replacement

Slot	.018" x .028"			05.09.0913	05.09.0912	05.09.0911	05.09.0921	05.09.0922	05.09.0923		
	.022" x .028"	05.10.3414	05.10.3414							05.10.3424	05.10.3424
quantity	10	10	10	10	10	10	10	10	10	10	10
	5	4	3	2	1	1	2	3	4	5	
	15	14	13	12	11	21	22	23	24	25	
Upper											
Lower											
	45	44	43	42	41	31	32	33	34	35	
	5	4	3	2	1	1	2	3	4	5	

length	3,3 mm	3,3 mm	3,5 mm	2,5 mm	2,5 mm	2,5 mm	2,5 mm	3,5 mm	3,3 mm	3,3 mm
Torque	-22°	-17°	0°	-6°	-6°	-6°	-6°	0°	-17°	-22°
angle	0°	0°	3°	0°	0°	0°	0°	3°	0°	0°

Replacement

Slot	.018" x .028"			05.09.1843	05.09.0850	05.09.0850	05.09.0850	05.09.0850	05.09.1833		
	.022" x .028"	05.10.3245	05.10.3244							05.10.3234	05.10.3235
quantity	10	10	10	10	10	10	10	10	10	10	10

ONE PIECE[®]



- Lower bicuspids with offset bonding base.
- Compact design, slot with lower friction coefficient, eliminating 80% of contact between bracket and archwires, Improved Rotational control.
- Allows to use rectangular nickel titanium archwires in initial stages of treatment, enabling the torque control.
- Design developed by the latest CAD / CAM technology.

PERMANENT MIDLINE

matches the long axis of the clinical crown for precise positioning of the bracket.

CHAMFERED SLOT

Ultra low contoured Profile for added patiente comfort
Easy archwire engagement

AMPLE UNDER TIE-WINGS AREA

the incisal wall of the bracket is angled, facilitating the placement of multiple ligatures, bracing and auxiliary.

FULLY INTEGRATED BALL HOOK

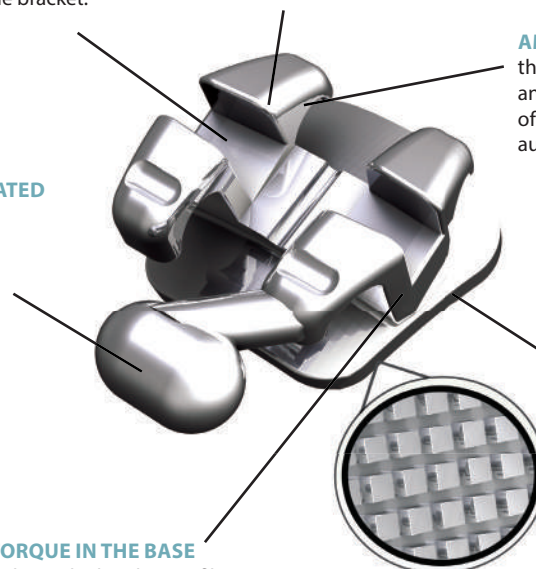
ANATOMICAL BASE
providing the best fit

TORQUE IN THE BASE

reduces the bracket profile height, improving the adaptation to the tooth and comfort to the patient It allows the alignment of the slot in the final phase of treatment, which minimizes and usually eliminates additional archwire adjustments.

MICRO BLASTED BASE

maximizes the mechanical retention, providing a great adhesive bonding strength



MAIN FEATURES

Single piece bracket (monoblock). Manufactured in 17-4ph surgical stainless steel by micro casting process.

ROTH PRESCRIPTION

ONE PIECE®

Slot	Reference	Hooks on 3, 4 & 5									
.018" x .028"	05.12.0390	20 brackets									
.022" x .028"	05.11.0390	20 brackets									
length	3,0 mm	3,0 mm	3,3 mm	3,0 mm	3,5 mm	3,5 mm	3,0 mm	3,3 mm	3,0 mm	3,0 mm	
Torque	-7°	-7°	0°	8°	12°	12°	8°	0°	-7°	-7°	
angle	0°	0°	11°	9°	5°	5°	9°	11°	0°	0°	

Replacement

Slot	.018" x .028"	05.12.0314	05.12.0314	05.12.0313	05.12.0312	05.12.0311	05.12.0321	05.12.0322	05.12.0323	05.12.0324	05.12.0324
	.022" x .028"	05.11.0314	05.11.0314	05.11.0313	05.11.0312	05.11.0311	05.11.0321	05.11.0322	05.11.0323	05.11.0324	05.11.0324
quantity	10	10	10	10	10	10	10	10	10	10	10
	5	4	3	2	1	1	2	3	4	5	
	15	14	13	12	11	21	22	23	24	25	
Upper											
Lower											
	45	44	43	42	41	31	32	33	34	35	
	5	4	3	2	1	1	2	3	4	5	
length	3,3 mm	3,3 mm	3,5 mm	2,5 mm	2,5 mm	2,5 mm	2,5 mm	3,5 mm	3,3 mm	3,3 mm	
Torque	-22°	-17°	-11°	0°	0°	0°	0°	-11°	-17°	-22°	
angle	0°	0°	5°	0°	0°	0°	0°	5°	0°	0°	

Replacement

Slot	.018" x .028"	05.12.0345	05.12.0344	05.12.0343	05.12.3150	05.12.3150	05.12.3150	05.12.3150	05.12.0333	05.12.0334	05.12.0335
	.022" x .028"	05.11.0345	05.11.0344	05.11.0343	05.11.3150	05.11.3150	05.11.3150	05.11.3150	05.11.0333	05.11.0334	05.11.0335
quantity	10	10	10	10	10	10	10	10	10	10	10

EDGEWISE PRESCRIPTION

ONE PIECE®

Slot	Referência	1 caso									
.018" x .028"	05.12.0191	20 brackets									
.022" x .028"	05.11.0191	20 brackets									
length	3,3 mm	3,3 mm	3,5 mm	3,3 mm	3,9 mm	3,9 mm	3,3 mm	3,5 mm	3,3 mm	3,3 mm	
Torque	0°	0°	0°	0°	0°	0°	0°	0°	0°	0°	
angle	0°	0°	0°	0°	0°	0°	0°	0°	0°	0°	

Replacement

Slot	.018" x .028"	05.12.0160	05.12.0160	05.12.0113	05.12.0120	05.12.0110	05.12.0110	05.12.0120	05.12.0123	05.12.0160	05.12.0160
	.022" x .028"	05.11.0160	05.11.0160	05.11.0113	05.11.0120	05.11.0110	05.11.0110	05.11.0120	05.11.0123	05.11.0160	05.11.0160
quantity	10	10	10	10	10	10	10	10	10	10	10
	5	4	3	2	1	1	2	3	4	5	
	15	14	13	12	11	21	22	23	24	25	
Upper											
Lower											
	45	44	43	42	41	31	32	33	34	35	
	5	4	3	2	1	1	2	3	4	5	
length	3,3 mm	3,3 mm	3,5 mm	2,5 mm	2,5 mm	2,5 mm	2,5 mm	3,5 mm	3,3 mm	3,3 mm	
Torque	0°	0°	0°	0°	0°	0°	0°	0°	0°	0°	
angle	0°	0°	0°	0°	0°	0°	0°	0°	0°	0°	

Replacement

Slot	.018" x .028"	05.12.0160	05.12.0160	05.12.0143	05.12.3150	05.12.3150	05.12.3150	05.12.3150	05.12.0133	05.12.0160	05.12.0160
	.022" x .028"	05.11.0160	05.11.0160	05.11.0143	05.11.3150	05.11.3150	05.11.3150	05.11.3150	05.11.0133	05.11.0160	05.11.0160
quantity	10	10	10	10	10	10	10	10	10	10	10

BioMax[®]

MAIN FEATURES

Single piece bracket (monoblock).
Manufactured in 17-4 ph surgical stainless steel by MIM process.

- Lower pre molars with offset in the base.
- Integral base: eliminates any possibility of separation between the base and slot, without loss of benefits of the original prescription.
- Compact design, slot with lower friction coefficient, eliminating 80% of contact between the brackets and archwires, reducing the time for flatness and alignment with rotational control.
- Allows to use rectangular nickel titanium archwires in initial stages of treatment, enabling the torque control.
- Drawing developed by CAD of the latest generation.
- Harmony between the orthodontist's function and comfort to the patient in all levels.
- Mini twin size.

PERMANET MIDLINE

Aligned with the long axis of the clinical crown, for greater accuracy in bracket gluing.

INTEGRATED HOOK

in the piece with anatomical rounded format.

UNDER AREA IN THE EXPANDED WINGS

The incisal wall of the bracket is angled, facilitating the placement of multiple ligatures, bracing and auxiliary.

CHAMFERED SLOT

facilitating the archwire placement, eliminating corners in the lip surface, improving the comfort to the patient.

ANATOMICAL BASE

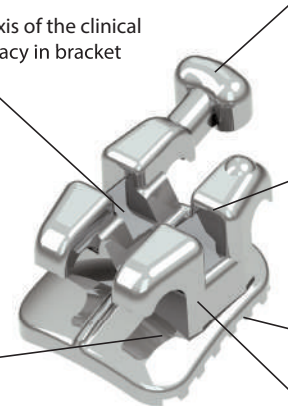
for better adaptation to the tooth.

TORQUE IN THE BASE

reduces the bracket profile height, improving the adaptation to the tooth and comfort to the patient. It allows the alignment of the slot in the final phase of treatment, which minimizes and usually eliminates additional archwire adjustments.

MICRO BLASTED BASE

Maximizes mechanical retention, providing greater adhesion strength.



METALLIC

ROTH PRESCRIPTION

BioMax[®]

Slot	Reference	Hooks on 3, 4 & 5
.022" x .028"	05.04.0390	20 brackets

Variation of the kits: 05.09.0491 - Hooks on 3 .022" 05.04.0302- Kit with 100 cases - Hooks on 3, 4 & 5
 05.09.0406 - No Hooks .022" 05.04.0300 - Kit with 10 cases - Hooks on 3, 4 & 5

	length	2,8 mm	2,8 mm	2,8 mm	2,6 mm	3,20 mm	3,20 mm	2,6 mm	2,8 mm	2,8 mm	2,8 mm
Torque		-7°	-7°	0°	8°	12°	12°	8°	0°	-7°	-7°
angle		0°	0°	11°	9°	5°	5°	9°	11°	0°	0°
Off		2°	2°	4°	0°	0°	0°	0°	4°	2°	2°

Replacement

Slot	.022" x .028"	05.04.0314	05.04.0314	05.04.0313	05.04.0312	05.04.0311	05.04.0321	05.04.0322	05.04.0323	05.04.0324	05.04.0324
	quantity	10	10	10	10	10	10	10	10	10	10
		5	4	3	2	1	1	2	3	4	5
		15	14	13	12	11	21	22	23	24	25
Upper											
Lower											
		45	44	43	42	41	31	32	33	34	35
		5	4	3	2	1	1	2	3	4	5

	length	2,8 mm	2,8 mm	2,8 mm	2,3 mm	2,3 mm	2,3 mm	2,3 mm	2,8 mm	2,8 mm	2,8 mm
Torque		-22°	-17°	-11°	0°	0°	0°	0°	-11°	-17°	-22°
angle		0°	0°	5°	0°	0°	0°	0°	5°	0°	0°
Off		4°	4°	2°	0°	0°	0°	0°	2°	4°	4°

Replacement

Slot	.022" x .028"	05.04.0345	05.04.0344	05.04.0343	05.04.0350	05.04.0350	05.04.0350	05.04.0350	05.04.0333	05.04.0334	05.04.0335
	quantity	10	10	10	10	10	10	10	10	10	10



- Micro cast in medical grade stainless steel 316L, with low nickel content.
- Torque-In-Base design for superior fit and greater contact surface area for improved retention.
- 80 Gauge Mesh Pad for improved adhesion.
- Smooth and rounded hooks for maximum patient comfort.
- Large funneled entrance with notch as guide for wire insertion.
- Lowest possible profile to optimize patient comfort without hindering the precision and control needed for case completion.
- Available as direct bond or weldable.
- Available in different types of mesh pad bases with compound radius to better adapt to the anatomy of the teeth.

MAXILLARY

SINGLE NON-CONVERTIBLE



Prescription	TORQ.	OFFSET	mm	WELDABLE							
				.018" R.	.018" L.	.022" R.	.022" L.				
Edgewise /Ricketts	0°	0°	3.6	08.01.1501	08.01.1601	08.02.1501	08.02.1601				
Pattern II	-10°	0°	3.6	08.01.0104	08.01.0204	08.02.0104	08.02.0204				
Roth/Pattern	-10°	8°	3.6	08.01.0105	08.01.0205	08.22.0105	08.22.0205				
MBT	-14°	10°	3.6	08.01.0107	08.01.0207	08.02.0107	08.02.0207				
Prescription	TORQ.	OFFSET	mm	ANATOMIC BONDABLE BASE				LONG BONDABLE BASE			
				.018" R.	.018" L.	.022" R.	.022" L.	.018" R.	.018" L.	.022" R.	.022" L.
Edgewise /Ricketts	0°	0°	3.6	08.03.1501	08.03.1601	08.04.1501	08.04.1601	08.23.1501	08.23.1601	08.24.1501	08.24.1601
Pattern II	-10°	0°	3.6	08.03.0104	08.03.0204	08.04.0104	08.04.0204	08.23.0104	08.23.0204	08.24.0104	08.24.0204
Roth/Pattern	-10°	8°	3.6	08.03.0105	08.03.0205	08.54.0105	08.54.0205	08.23.0105	08.23.0205	08.64.0105	08.64.0205
MBT	-14°	10°	3.6	08.03.0107	08.03.0207	08.04.0107	08.04.0207	08.23.0107	08.23.0207	08.24.0107	08.24.0207
Prescription	TORQ.	OFFSET	mm	SMALL BONDABLE BASE				BIG FOOT BONDABLE BASE			
				.018" R.	.018" L.	.022" R.	.022" L.	.018" R.	.018" L.	.022" R.	.022" L.
Edgewise /Ricketts	0°	0°	3.6	08.33.1501	08.33.1601	08.34.1501	08.34.1601	08.43.1501	08.43.1601	08.44.1501	08.44.1601
Pattern II	-10°	0°	3.6	08.33.0104	08.33.0204	08.34.0104	08.34.0204	08.43.0104	08.43.0204	08.44.0104	08.44.0204
Roth/Pattern	-10°	8°	3.6	08.33.0105	08.33.0205	08.74.0105	08.74.0205	08.43.0105	08.43.0205	08.84.0105	08.84.0205
MBT	-14°	10°	3.6	08.33.0107	08.33.0207	08.34.0107	08.34.0207	08.43.0107	08.43.0207	08.44.0107	08.44.0207

SINGLE CONVERTIBLE



Prescription	TORQ.	OFFSET	mm	WELDABLE				LONG BONDABLE BASE			
				.018" R.	.018" L.	.022" R.	.022" L.	.018" R.	.018" L.	.022" R.	.022" L.
Edgewise /Ricketts	0°	0°	3.8	08.05.1501	08.05.1601	08.06.1501	08.06.1601	08.07.1501	08.07.1601	08.08.1501	08.08.1601
Pattern II	-10°	0°	3.8	08.05.0104	08.05.0204	08.06.0104	08.06.0204	08.07.0104	08.07.0204	08.08.0104	08.08.0204
Roth/Pattern	-10°	8°	3.8	08.05.0105	08.05.0205	08.06.0105	08.06.0205	08.07.0105	08.07.0205	08.08.0105	08.08.0205
MBT	-14°	10°	3.8	08.05.0107	08.05.0207	08.06.0107	08.06.0207	08.07.0107	08.07.0207	08.08.0107	08.08.0207

DOUBLE NON-CONVERTIBLE OCCLUSAL



Prescription	TORQ.	OFFSET	mm	WELDABLE				LONG BONDABLE BASE			
				.018" R.	.018" L.	.022" R.	.022" L.	.018" R.	.018" L.	.022" R.	.022" L.
Edgewise /Ricketts	0°	0°	3.6	08.09.0701	08.09.0801	08.10.0701	08.10.0801	08.11.0701	08.11.0801	08.12.0701	08.12.0801
Roth/Pattern	-10°	8°	3.6	08.09.0705	08.09.0805	08.10.0705	08.10.0805	08.11.0705	08.11.0805	08.12.0705	08.12.0805

DOUBLE CONVERTIBLE OCCLUSAL



Prescription	TORQ.	OFFSET	mm	WELDABLE				LONG BONDABLE BASE			
				.018" R.	.018" L.	.022" R.	.022" L.	.018" R.	.018" L.	.022" R.	.022" L.
Edgewise /Ricketts	0°	0°	3.6	08.13.0701	08.13.0801	08.14.0701	08.14.0801	08.15.0701	08.15.0801	08.16.0701	08.16.0801
Roth/Pattern	-10°	8°	3.6	08.13.0705	08.13.0805	08.14.0705	08.14.0805	08.15.0705	08.15.0805	08.16.0705	08.16.0805
MBT	-14°	10°	3.6	08.13.0707	08.13.0807	08.14.0707	08.14.0807	08.15.0707	08.15.0807	08.16.0707	08.16.0807

DOUBLE CONVERTIBLE GINGIVAL



Prescription	TORQ.	OFFSET	mm	WELDABLE				LONG BONDABLE BASE			
				.018" R.	.018" L.	.022" R.	.022" L.	.018" R.	.018" L.	.022" R.	.022" L.
Roth/Pattern	-10°	8°	3.6	08.13.0505	08.13.0605	08.14.0505	08.14.0605	08.15.0505	08.15.0605	08.16.0505	08.16.0605

DOUBLE CONVERTIBLE AUXILIARY



Prescription	TORQ.	OFFSET	mm	WELDABLE				LONG BONDABLE BASE			
				.018" R.	.018" L.	.022" R.	.022" L.	.018" R.	.018" L.	.022" R.	.022" L.
Roth/Pattern	-10°	8°	3.6	08.13.0905	08.13.1005	08.14.0905	08.14.1005	08.15.0905	08.15.1005	08.16.0905	08.16.1005

TRIPLE CONVERTIBLE



Prescription	TORQ.	OFFSET	mm	WELDABLE				LONG BONDABLE BASE			
				.018" R.	.018" L.	.022" R.	.022" L.	.018" R.	.018" L.	.022" R.	.022" L.
Edgewise /Ricketts	0°	0°	3.6	08.17.0101	08.17.0201	08.18.0101	08.18.0201	08.19.0101	08.19.0201	08.20.0101	08.20.0201
Roth/Pattern	-10°	8°	3.6	08.17.0105	08.17.0205	08.18.0105	08.18.0205	08.19.0105	08.19.0205	08.20.0105	08.20.0205
-	-10°	15°	3.6	08.17.0106	08.17.0206	08.18.0106	08.18.0206	08.19.0106	08.19.0206	08.20.0106	08.20.0206
MBT	-14°	10°	3.6	08.17.0107	08.17.0207	08.18.0107	08.18.0207	08.19.0107	08.19.0207	08.20.0107	08.20.0207

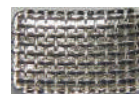
BONDABLE BASES



ANATOMIC
5mm x 3mm



LONG
7mm x 2,8mm



SMALL
4,3mm x 3mm



BIG FOOT
8mm x 3,5mm

MANDIBULAR

SINGLE NON-CONVERTIBLE



Prescription	TORQ.	OFFSET	mm	WELDABLE				LONG BONDABLE BASE			
				.018" R.	.018" L.	.022" R.	.022" L.	.018" R.	.018" L.	.022" R.	.022" L.
Edgewise /Ricketts	0°	0°	3.6	08.01.1601	08.01.1501	08.02.1601	08.02.1501				
Edgewise	0°	5°	3.6	08.01.0302	08.01.0402	08.02.0302	08.02.0402				
MBT	-20°	0°	3.6	08.01.0308	08.01.0408	08.02.0308	08.02.0408				
Roth/ Pattern	-25°	5°	3.6	08.01.0310	08.01.0410	08.22.0310	08.22.0410				
Roth/ Pattern	-25°	0°	3.6	08.01.0309	08.01.0409	08.02.0309	08.22.0409				

Prescription	TORQ.	OFFSET	mm	ANATOMIC BONDABLE BASE				LONG BONDABLE BASE			
				.018" R.	.018" L.	.022" R.	.022" L.	.018" R.	.018" L.	.022" R.	.022" L.
Edgewise /Ricketts	0°	0°	3.6	08.03.1601	08.03.1501	08.04.1601	08.04.1501	08.23.1601	08.23.1501	08.24.1601	08.24.1501
Edgewise	0°	5°	3.6	08.03.0302	08.03.0402	08.04.0302	08.04.0402	08.23.0302	08.23.0402	08.24.0302	08.24.0402
MBT	-20°	0°	3.6	08.03.0308	08.03.0408	08.04.0308	08.04.0408	08.23.0308	08.23.0408	08.24.0308	08.24.0408
Roth/Pattern	-25°	5°	3.6	08.03.0310	08.03.0410	08.54.0310	08.54.0410	08.23.0310	08.23.0410	08.64.0310	08.64.0410
Roth/Pattern	-25°	0°	3.6	08.03.0309	08.03.0409	08.04.0309	08.04.0409	08.23.0309	08.23.0409	08.24.0309	08.24.0409

Prescription	TORQ.	OFFSET	mm	SMALL BONDABLE BASE				BIG FOOT BONDABLE BASE			
				.018" R.	.018" L.	.022" R.	.022" L.	.018" R.	.018" L.	.022" R.	.022" L.
Edgewise /Ricketts	0°	0°	3.6	08.33.1601	08.33.1501	08.34.1601	08.34.1501	08.43.1601	08.43.1501	08.44.1601	08.44.1501
Edgewise	0°	5°	3.6	08.33.0302	08.33.0402	08.34.0302	08.34.0402	08.43.0302	08.43.0402	08.44.0302	08.44.0402
MBT	-20°	0°	3.6	08.33.0308	08.33.0408	08.34.0308	08.34.0408	08.43.0308	08.43.0408	08.44.0308	08.44.0408
Roth/Pattern	-25°	5°	3.6	08.33.0310	08.33.0410	08.74.0310	08.74.0410	08.83.0310	08.43.0410	08.84.0310	08.84.0410
Roth/Pattern	-25°	0°	3.6	08.33.0309	08.33.0409	08.34.0309	08.34.0409	08.43.0309	08.43.0409	08.44.0309	08.44.0409

SINGLE CONVERTIBLE



Prescription	TORQ.	OFFSET	mm	WELDABLE				LONG BONDABLE BASE			
				.018" R.	.018" L.	.022" R.	.022" L.	.018" R.	.018" L.	.022" R.	.022" L.
Edgewise /Ricketts	0°	0°	3.8	08.05.1601	08.05.1501	08.06.1601	08.06.1501	08.07.1601	08.07.1501	08.08.1601	08.08.1501
MBT	-20°	0°	3.8	08.05.0308	08.05.0408	08.06.0308	08.06.0408	08.07.0308	08.07.0408	08.08.0308	08.08.0408
Roth/Pattern	-25°	5°	3.8	08.05.0310	08.05.0410	08.06.0310	08.06.0410	08.07.0310	08.07.0410	08.08.0310	08.08.0410
Roth/Pattern	-25°	0°	3.8	08.05.0309	08.05.0409	08.06.0309	08.06.0409	08.07.0309	08.07.0409	08.08.0309	08.08.0409

DOUBLE CONVERTIBLE AUXILIARY



Prescription	TORQ.	OFFSET	mm	WELDABLE				LONG BONDABLE BASE			
				.018" R.	.018" L.	.022" R.	.022" L.	.018" R.	.018" L.	.022" R.	.022" L.
Roth/Pattern	-25°	5°	3.6	08.13.1110	08.13.1210	08.14.1110	08.14.1210	08.15.1110	08.15.1210	08.16.1110	08.16.1210
MBT	-20°	0°	3.6	08.13.1108	08.13.1208	08.14.1108	08.14.1208	08.15.1108	08.15.1208	08.16.1108	08.16.1208
Edgewise	0	5°	3.6	08.13.1102	08.13.1202	08.14.1102	08.14.1202	08.15.1102	08.15.1202	08.16.1102	08.16.1202

DOUBLE CONVERTIBLE (LIP BUMPER)



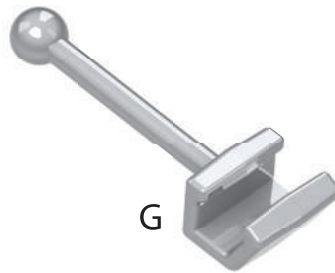
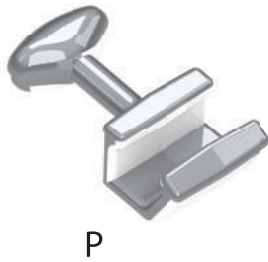
Prescription	TORQ.	OFFSET	mm	WELDABLE				LONG BONDABLE BASE			
				.018" R.	.018" L.	.022" R.	.022" L.	.018" R.	.018" L.	.022" R.	.022" L.
Roth/Pattern	-25°	5°	3.6	08.13.1310	08.13.1410	08.14.1310	08.14.1410	08.15.1310	08.15.1410	08.16.1310	08.16.1410

DOUBLE NON-CONVERTIBLE



Prescription	TORQ.	OFFSET	mm	WELDABLE				LONG BONDABLE BASE			
				.018" R.	.018" L.	.022" R.	.022" L.	.018" R.	.018" L.	.022" R.	.022" L.
Edgewise /Ricketts	0°	0°	3.6	08.09.0301	08.09.0401	-	-	08.11.0301	08.11.0401	-	-

BALL HOOK

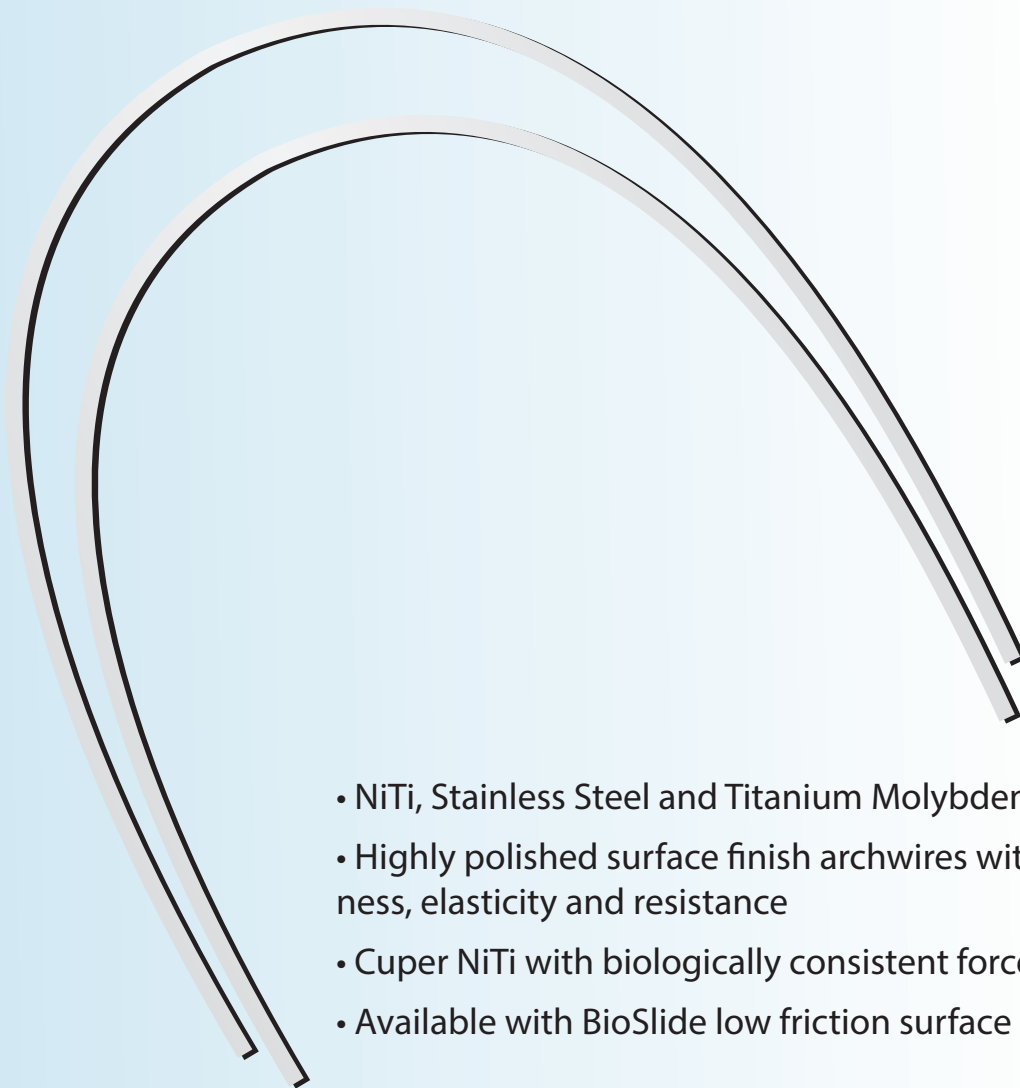


MODEL	CODE WITH 10
P	01.00.0003
G	01.00.0002

STOP



SIZE	DIAMETER	CODE WITH 10
2mm	0,13mm	01.01.0001
3 mm	0,13mm	01.01.0003
2 mm - rectangular	0,16mm	01.01.0005
crimpable		01.01.0004
2mm - aesthetic		01.01.0002

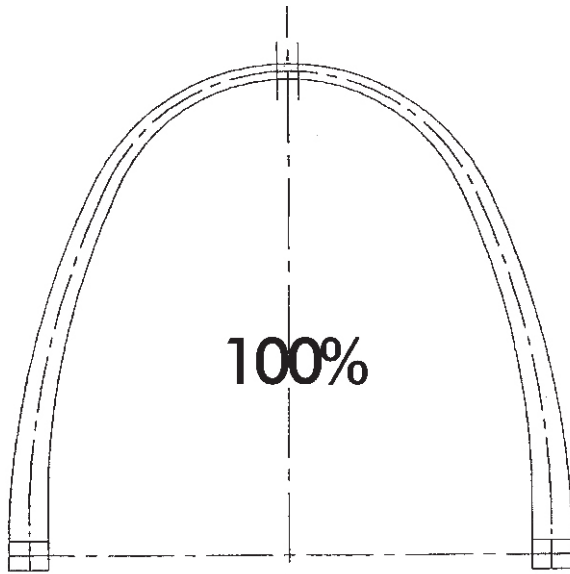


- NiTi, Stainless Steel and Titanium Molybdenum
- Highly polished surface finish archwires with brightness, elasticity and resistance
- Cuper NiTi with biologically consistent forces
- Available with BioSlide low friction surface

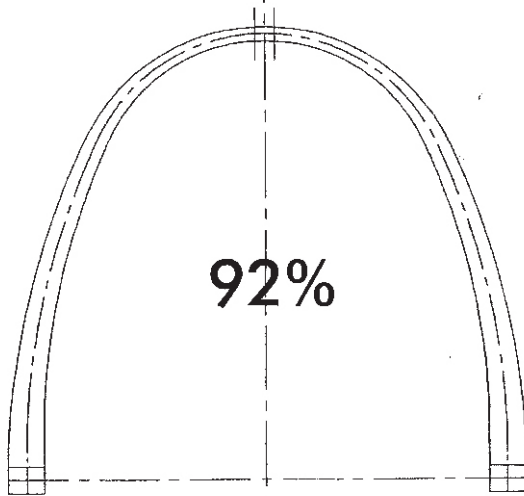


SELF-LIGATING ARCHWIRES

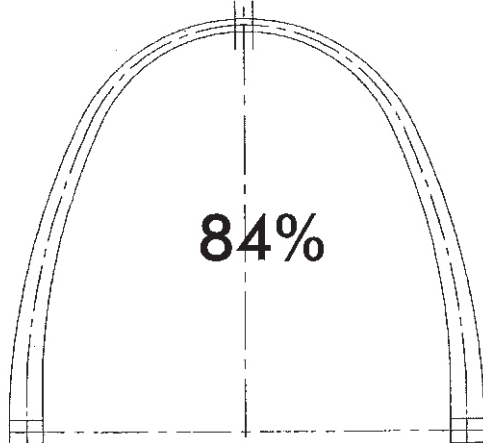
CONTOUR NITI / CUPER NITI / STAINLESS STEEL / TITANIUM MOLYBDENUM
DAMON FORM*



UNIVERSAL LARGE



UNIVERSAL MEDIUM



UNIVERSAL SMALL

*Damon is a registered trademark of Ormco Corporation

CUPER NITI

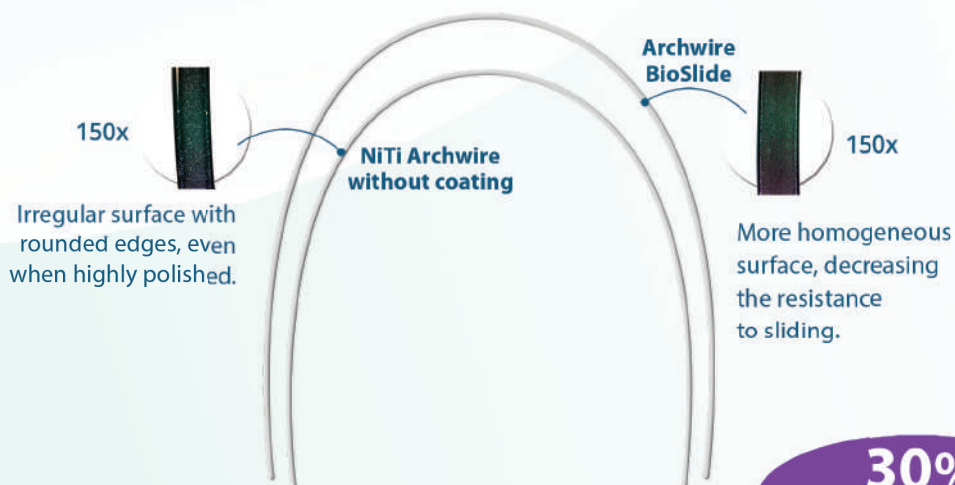
The archwire system for extraordinary results



- Transition temperature: 27°C and 35° C
- Available in the following formats: Small Damon, Medium and Universal
- Manufactured with exclusive raw material imported from Japan

BioSlide

Lower friction archwire with special coating



Available materials:

- NiTi SE
- Thermal NiTi
- Thermal Contour NiTi
- Thermal Cuper NiTi

30%
LESS FRICTION

NITI

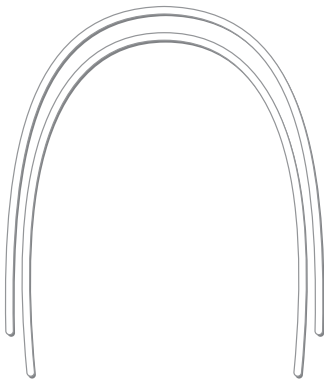
SUPER ELASTIC

NATURAL FORM



SIZE	UPPER WITH 10	LOWER WITH 10	UPPER WITH 100	LOWER WITH 100
.012	09.15.0512	09.15.0612	09.15.0512.0	09.15.0612.0
.014	09.15.0514	09.15.0614	09.15.0514.0	09.15.0614.0
.016	09.15.0516	09.15.0616	09.15.0516.0	09.15.0616.0
.018	09.15.0518	09.15.0618	09.15.0518.0	09.15.0618.0
.020	09.15.0520	09.15.0620	09.15.0520.0	09.15.0620.0
.016x.016	09.15.0566	09.15.0666	-	-
.016X.022	09.15.0562	09.15.0662	-	-
.017X.025	09.15.0575	09.15.0675	-	-
.018X.025	09.15.0585	09.15.0685	-	-
.019X.025	09.15.0595	09.15.0695	-	-
.021X.025	09.15.0525	09.15.0625	-	-

AESTHETIC TEFLON COATED



SIZE	UPPER WITH 1	LOWER WITH 1
.012	09.14.0512.1	09.14.0612.1
.014	09.14.0514.1	09.14.0614.1
.016	09.14.0516.1	09.14.0616.1
.018	09.14.0518.1	09.14.0618.1
.020	09.14.0520.1	09.14.0620.1
.016x.016	09.14.0566.1	09.14.0666.1
.016X.022	09.14.0562.1	09.14.0662.1
.017X.025	09.14.0575.1	09.14.0675.1
.018X.025	09.14.0585.1	09.14.0685.1
.019X.025	09.14.0595.1	09.14.0695.1
.021X.025	09.14.0525.1	09.14.0625.1

EUROPA I FORM



SIZE	UPPER WITH 10	LOWER WITH 10
.012	09.15.0312	09.15.0412
.014	09.15.0314	09.15.0414
.016	09.15.0316	09.15.0416
.018	09.15.0318	09.15.0418
.020	09.15.0320	09.15.0420
.016X.022	09.15.0362	09.15.0462
.017X.025	09.15.0375	09.15.0475
.018X.025	09.15.0385	09.15.0485
.019X.025	09.15.0395	09.15.0495
.021X.025	09.15.0325	-

REVERSE CURVE



SIZE	UPPER WITH 10	LOWER WITH 10
.012	09.23.0512	09.23.0612
.014	09.23.0514	09.23.0614
.016	09.23.0516	09.23.0616
.018	09.23.0518	09.23.0618
.020	09.23.0520	09.23.0620
.016x.016	09.23.0566	09.23.0666
.016X.022	09.23.0562	09.23.0662
.017X.025	09.23.0575	09.23.0675
.018X.025	09.23.0585	09.23.0685
.019X.025	09.23.0595	09.23.0695
.021X.025	09.23.0525	09.23.0625

ARCHWIRES

NITI

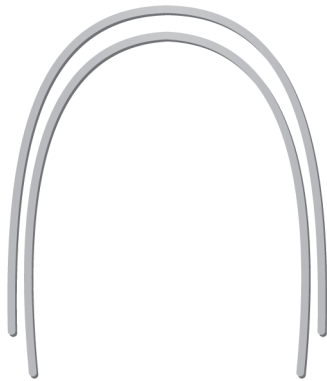
BIOSLIDE MEMOFLEX



SIZE	UPPER WITH 10	LOWER WITH 10
.012	09.12.0512	09.12.0612
.014	09.12.0514	09.12.0614
.016	09.12.0516	09.12.0616
.018	09.12.0518	09.12.0618
.020	09.12.0520	09.12.0620
.016x.016	09.12.0566	09.12.0666
.016X.022	09.12.0562	09.12.0662
.017X.025	09.12.0575	09.12.0675
.018X.025	09.12.0585	09.12.0685
.019X.025	09.12.0595	09.12.0695
.021X.025	09.12.0525	09.12.0625

THERMAL

NATURAL FORM



SIZE	UPPER WITH 10	LOWER WITH 10	SUPERIOR AESTHETIC W/ 01	SUPERIOR AESTHETIC W/ 01
.012	09.16.0512	09.16.0612	09.25.0512.1	09.25.0612.1
.014	09.16.0514	09.16.0614	09.25.0514.1	09.25.0614.1
.016	09.16.0516	09.16.0616	09.25.0516.1	09.25.0616.1
.018	09.16.0518	09.16.0618	09.25.0518.1	09.25.0618.1
.020	09.16.0520	09.16.0620	09.25.0520.1	09.25.0620.1
.016x.016	09.16.0566	09.16.0666	09.25.0566.1	09.25.0666.1
.016X.022	09.16.0562	09.16.0662	09.25.0562.1	09.25.0662.1
.017X.025	09.16.0575	09.16.0675	09.25.0575.1	09.25.0675.1
.018X.025	09.16.0585	09.16.0685	09.25.0585.1	09.25.0685.1
.019X.025	09.16.0595	09.16.0695	09.25.0595.1	09.25.0695.1
.021X.025	09.16.0525	09.16.0625	09.25.0525.1	09.25.0625.1

BIOSLIDE THERMAL MEMOFLEX



SIZE	UPPER WITH 10	LOWER WITH 10
.012	09.13.0512	09.13.0612
.014	09.13.0514	09.13.0614
.016	09.13.0516	09.13.0616
.018	09.13.0518	09.13.0618
.020	09.13.0520	09.13.0620
.016x.016	09.13.0566	09.13.0666
.016X.022	09.13.0562	09.13.0662
.017X.025	09.13.0575	09.13.0675
.018X.025	09.13.0585	09.13.0685
.019X.025	09.13.0595	09.13.0695
.021X.025	09.13.0525	09.13.0625



BIOCLIP KIT WITH THERMAL ARCHWIRES SEQUENCE		
CODE	DESCRIPTION	KIT
09.16.9000	BIOCLIP ARCHWIRE SEQUENCE .014, .018, .016x.022 e .017x .025 (Upper and Lower)	WITH 8 WIRES
09.16.9002	TWO-DIMENSIONAL ARCHWIRE SEQUENCE .014, .018 e .016x .022 (Upper and Lower)	WITH 6 WIRES

CONTOUR NITI

CONTOUR NITI 35° DAMON* FORM



SIZE	SMALL WITH 10	MEDIUM WITH 10	UNIVERSAL WITH 10	AESTHETIC WITH 10
.013	09.08.0713	09.08.0813	09.08.0913	09.11.0913.1
.014	09.08.0714	09.08.0814	09.08.0914	09.11.0914.1
.016	09.08.0716	09.08.0816	09.08.0916	09.11.0916.1
.018	09.08.0718	09.08.0818	09.08.0918	09.11.0918.1
.014X.025	09.08.0742	09.08.0842	09.08.0942	09.11.0942.1
.016X.025	09.08.0765	09.08.0865	09.08.0965	09.11.0965.1
.017X.025	09.08.0775	09.08.0875	09.08.0975	09.11.0975.1
.018X.025	09.08.0785	09.08.0885	09.08.0985	09.11.0985.1
.019X.025	09.08.0795	09.08.0895	09.08.0995	09.11.0995.1

CONTOUR NITI BIOSLIDE



SIZE	UNIVERSAL W/ 10
.013	09.10.0913
.014	09.10.0914
.016	09.10.0916
.018	09.10.0918
.014X.025	09.10.0942
.016X.025	09.10.0965
.017X.025	09.10.0975
.018X.025	09.10.0985

CONTOUR NITI 40° DAMON* FORM



SIZE	UNIVERSAL W/ 10
.013	09.09.0913
.014	09.09.0914
.016	09.09.0916
.018	09.09.0918
.014x.025	09.09.0942
.016x.025	09.09.0965
.019x.025	09.09.0995



EASYCLIP KIT WITH DAMON* ARCHWIRES SEQUENCE		
CODE	DESCRIPTION	KIT
09.08.9000	EASYCLIP ARCHWIRES SEQUENCE .014, .018, .014 x .025, .016 x .025 e .017 x .025 (2 each)	with 10

*Damon is a registered trademark of Ormco Corporation.

ARCHWIRES

CUPER NITI

CUPER NITI 35° DAMON* FORM



SIZE	SMALL WITH 10	MEDIUM W/ 10	UNIVERSAL W/ 10
.013	09.02.0713	09.02.0813	09.02.0913
.014	09.02.0714	09.02.0814	09.02.0914
.016	09.02.0716	09.02.0816	09.02.0916
.018	09.02.0718	09.02.0818	09.02.0918
.014X.025	09.02.0742	09.02.0842	09.02.0942
.016X.025	09.02.0765	09.02.0865	09.02.0965
.018X.025	09.02.0785	09.02.0885	09.02.0985

CUPER NITI 35° DAMON* FORM WITH STOP



SIZE	MEDIUM W/ 10	UNIVERSAL W/ 10
.013	09.03.0813	09.03.0913
.014	09.03.0814	09.03.0914
.016	09.03.0816	09.03.0916
.018	09.03.0818	09.03.0918
.014X.025	09.03.0842	09.03.0942
.016X.025	09.03.0865	09.03.0965
.018X.025	09.03.0885	09.03.0985

CUPER NITI 27° DAMON* FORM



SIZE	SMALL WITH 10	UNIVERSAL W/ 10
.013	09.01.0713	09.01.0913
.014	09.01.0714	09.01.0914
.016	09.01.0716	09.01.0916
.018	09.01.0718	09.01.0918
.014X.025	—	09.01.0942
.016X.025	—	09.01.0965
.018X.025	—	09.01.0985

CUPER NITI BIOSLIDE



SIZE	UNIVERSAL W/ 10
.013	09.04.0913
.014	09.04.0914
.016	09.04.0916
.018	09.04.0918
.014X.025	09.04.0942
.016X.025	09.04.0965
.018X.025	09.04.0985

*Damon is a registered trademark of Ormco Corporation.

STAINLESS STEEL

NATURAL FORM



SIZE	UPPER 10	LOWER W/10	UPPER W/100	LOWER W/100
.012	09.05.0512	09.05.0612	09.05.0512.0	09.05.0612.0
.014	09.05.0514	09.05.0614	09.05.0514.0	09.05.0614.0
.016	09.05.0516	09.05.0616	09.05.0516.0	09.05.0616.0
.018	09.05.0518	09.05.0618	09.05.0518.0	09.05.0618.0
.020	09.05.0520	09.05.0620	09.05.0520.0	09.05.0620.0
.016x.016	09.05.0566	09.05.0666	09.05.0566.0	09.05.0666.0
.016X.022	09.05.0562	09.05.0662	09.05.0562.0	09.05.0662.0
.017X.025	09.05.0575	09.05.0675	09.05.0575.0	09.05.0675.0
.018X.025	09.05.0585	09.05.0685	09.05.0585.0	09.05.0685.0
.019X.025	09.05.0595	09.05.0695	09.05.0595.0	09.05.0695.0
.021X.025	09.05.0525	09.05.0625	09.05.0525.0	09.05.0625.0

AESTHETIC TEFLON COATED



SIZE	UPPER W/01	LOWER W/01
.012	09.06.0512.1	09.06.0612.1
.014	09.06.0514.1	09.06.0614.1
.016	09.06.0516.1	09.06.0616.1
.018	09.06.0518.1	09.06.0618.1
.020	09.06.0520.1	09.06.0620.1
.016 X .016	09.06.0566.1	09.06.0666.1
.016 X .022	09.06.0562.1	09.06.0662.1
.017 X .025	09.06.0575.1	09.06.0675.1
.018 X .025	09.06.0585.1	09.06.0685.1
.019 X .025	09.06.0595.1	09.06.0695.1
.021 X .025	09.06.0525.1	09.06.0625.1

STANDARD FORM



SIZE	UPPER W/100	LOWER W/100
.012	09.05.0112.0	09.05.0212.0
.014	09.05.0114.0	09.05.0214.0
.016	09.05.0116.0	09.05.0216.0
.018	09.05.0118.0	09.05.0218.0
.020	09.05.0120.0	09.05.0220.0
.016x.016	—	—
.016X.022	—	—
.017X.025	—	—
.018X.025	—	—
.019X.025	—	—
.021X.025	—	—

DAMON* FORM



SIZE	SMALL W/10	MEDIUM W/ 10	UNIVERSAL W/ 10
.016x.022	—	—	09.05.0962
.019x.025	09.05.0795	09.05.0895	09.05.0995

*Damon is a registered trademark of Ormco Corporation.

STAINLESS STEEL

EUROPA I FORM



SIZE	UPPER WITH 10	LOWER WITH 10
.012	09.05.0312	09.05.0412
.014	09.05.0314	09.05.0414
.016	09.05.0316	09.05.0416
.018	09.05.0318	09.05.0418
.020	09.05.0320	09.05.0420
.016 X .016	09.05.0366	09.05.0466
.016X.022	09.05.0362	09.05.0462
.017 X .025	09.05.0375	09.05.0475
.018 X .025	09.05.0385	09.05.0485
.019X.025	09.05.0395	09.05.0495
.021X .025	09.05.0325	09.05.0425

TRUEFORM I

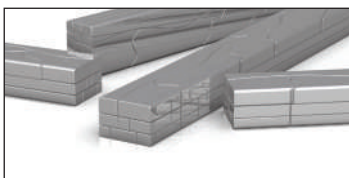


SIZE	UPPER WITH 10	LOWER WITH 10
.012	09.05.1012	09.05.1112
.014	09.05.1014	09.05.1114
.016	09.05.1016	09.05.1116
.018	09.05.1018	09.05.1118
.020	09.05.1020	09.05.1120
.016 X .016	09.05.1066	09.05.1166
.016X.022	09.05.1062	09.05.1162
.017 X .025	09.05.1075	09.05.1175
.018 X .025	09.05.1085	09.05.1185
.019X.025	09.05.1095	09.05.1195
.021X .025	09.05.1025	09.05.1125

BRAIDED - NATURAL FORM



SIZE	UPPER WITH 10	LOWER WITH 10
.016X.016	09.07.0566	09.07.0666
.016X.022	09.07.0562	09.07.0662
.017X.025	09.07.0575	09.07.0675
.018X.025	09.07.0585	09.07.0685
.019X.025	09.07.0595	09.07.0695
.021X.025	09.07.0525	09.07.0625



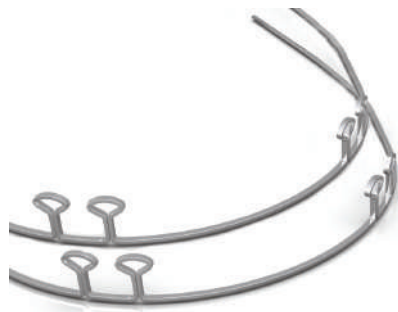
STAINLESS STEEL RETRACTION LOOPED ARCHWIRES

KEYHOLE 2 - LOOP WITH 10



MEASURE SIZE	.016X.022	.017X.025	.018X.025	.019X.025	.021X.025
22MM	09.19.1262	09.19.1275	09.19.1285	09.19.1295	09.19.1225
24MM	09.19.1362	09.19.1375	09.19.1385	09.19.1395	09.19.1325
26MM	09.19.1462	09.19.1475	09.19.1485	09.19.1495	09.19.1425
28MM	09.19.1562	09.19.1575	09.19.1585	09.19.1595	09.19.1525
30MM	09.19.1662	09.19.1675	09.19.1685	09.19.1695	09.19.1625
32MM	09.19.1762	09.19.1775	09.19.1785	09.19.1795	09.19.1725
34MM	09.19.1862	09.19.1875	09.19.1885	09.19.1895	09.19.1825
36MM	09.19.1962	09.19.1975	09.19.1985	09.19.1995	09.19.1925
38MM	09.19.2062	09.19.2075	09.19.2085	09.19.2095	09.19.2025
40MM	09.19.2162	09.19.2175	09.19.2185	09.19.2195	09.19.2125
42MM	09.19.2262	09.19.2275	09.19.2285	09.19.2295	09.19.2225
44MM	09.19.2362	09.19.2375	09.19.2385	09.19.2395	09.19.2325
KIT W/120 10 of each size	09.19.2562	09.19.2575	09.19.2585	09.19.2595	09.19.2525

KEYHOLE 4 - LOOP WITH 10



MEASURE SIZE	.016X.022	.017X.025	.018X.025	.019X.025	.021X.025
22MM	09.20.1262	09.20.1275	09.20.1285	09.20.1295	09.20.1225
24MM	09.20.1362	09.20.1375	09.20.1385	09.20.1395	09.20.1325
26MM	09.20.1462	09.20.1475	09.20.1485	09.20.1495	09.20.1425
28MM	09.20.1562	09.20.1575	09.20.1585	09.20.1595	09.20.1525
30MM	09.20.1662	09.20.1675	09.20.1685	09.20.1695	09.20.1625
32MM	09.20.1762	09.20.1775	09.20.1785	09.20.1795	09.20.1725
34MM	09.20.1862	09.20.1875	09.20.1885	09.20.1895	09.20.1825
36MM	09.20.1962	09.20.1975	09.20.1985	09.20.1995	09.20.1925
38MM	09.20.2062	09.20.2075	09.20.2085	09.20.2095	09.20.2025
40MM	09.20.2162	09.20.2175	09.20.2185	09.20.2195	09.20.2125
42MM	09.20.2262	09.20.2275	09.20.2285	09.20.2295	09.20.2225
44MM	09.20.2362	09.20.2375	09.20.2385	09.20.2395	09.20.2325
KIT W/120 10 of each size	09.20.2562	09.20.2575	09.20.2585	09.20.2595	09.20.2525

BULL LOOP WITH 10



MEASURE SIZE	.018	MEASURE SIZE	.018
22MM	09.18.1218	34MM	09.18.1818
24MM	09.18.1318	36MM	09.18.1918
26MM	09.18.1418	38MM	09.18.2018
28MM	09.18.1518	40MM	09.18.2118
30MM	09.18.1618	42MM	09.18.2218
32MM	09.18.1718	44MM	09.18.2318
KIT W/120 10 of each size	09.19.2518		

T-LOOP

T-LOOP WITH 10



MEASURE SIZE	.016X.022	.017X.025	.019X.025	.021X.025
22MM	09.17.1262	09.17.1275	09.17.1295	09.17.1125
24MM	09.17.1362	09.17.1375	09.17.1395	09.17.1225
26MM	09.17.1462	09.17.1475	09.17.1495	09.17.1325
28MM	09.17.1562	09.17.1575	09.17.1595	09.17.1425
30MM	09.17.1662	09.17.1675	09.17.1695	09.17.1525
32MM	09.17.1762	09.17.1775	09.17.1795	09.17.1725
34MM	09.17.1862	09.17.1875	09.17.1895	09.17.1825
36MM	09.17.1962	09.17.1975	09.17.1995	09.17.1925
38MM	09.17.2062	09.17.2075	09.17.2095	09.17.2025
40MM	09.17.2162	09.17.2175	09.17.2195	09.17.2125
42MM	09.17.2262	09.17.2275	09.17.2295	09.17.2225
44MM	09.17.2362	09.17.2375	09.17.2395	09.17.2325

TITANIUM MOLYBDENUM ADITEK

DAMON* ARCH FORM



SIZE	SMALL WITH 10	MEDIUM WITH 10	UNIVERSAL WITH 10
.016x.022	09.21.0762	09.21.0862	09.21.0962
.017x.025	09.21.0775	09.21.0875	09.21.0975
.019x.025	09.21.0795	09.21.0895	09.21.0995

EXTRAORAL ARCHWIRE



CODE WITH 01

09.22.0145

*Damon is a registered trademark of Ormco Corporation

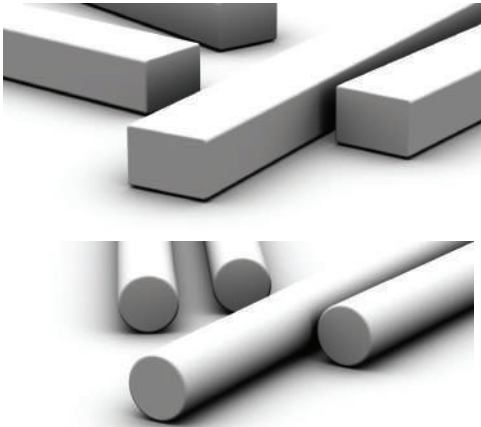
STAINLESS STEEL

TWIST FLEX 9M ROLL



MEASURE	CODE
.0175"	07.03.1707

STRAIGHT LENGTH 35CM



MEASURE	CODE WITH 10	CODE WITH 20
.012	-	07.06.1206
.014	-	07.06.1406
.016	-	07.06.1606
.018	-	07.06.1806
.020	-	07.06.2006
.016X.016	07.06.6605	-
.016X.022	07.06.6205	-
.017X.025	07.06.7505	-
.018X.025	07.06.8505	-
.019X.025	07.06.9505	-
.021X.025	07.06.2505	-

ELGILOY STRAIGHT LENGT 35CM



MEASURE	CODE WITH 10
.016X.016	07.05.6605
.016X.022	07.05.6205
.017X.025	07.05.7505

LIGATURE WIRE SPOOL 50G



MEASURE	CODE
.008	07.01.0801
.010	07.01.1001
.012	07.01.1201

TITANIUM MOLYBDENUM ADITEK

STRAIGHT LENGT 35CM



MEASURE	CODE WITH 10	CODE WITH 5
.016X.022	07.07.6205	-
.017X.025	07.07.7505	-
.019X.025	07.07.9505	-
.021X.025	07.07.2505	-
.032		07.07.2104
.036		07.07.2204

ELASTIC CHAIN – ELASTIK

SPOOL



COLLOR	SHORT 1,5M	SHORT 4,5M
YELLOW	06.06.0001	06.09.0001
GOLD	06.06.0002	06.09.0002
BLUE	06.06.0003	06.09.0003
BABY BLUE	06.06.0004	06.09.0004
LIGHT BLUE	06.06.0005	06.09.0005
NAVY BLUE	06.06.0006	06.09.0006
ROYAL BLUE	06.06.0007	06.09.0007
ORCHID	06.06.0008	06.09.0008
WHITE	06.06.0009	06.09.0009
LILAQ	06.06.0011	06.09.0011
MAGENTA	06.06.0012	06.09.0012
FLUORESCENT PINK	06.06.0013	06.09.0013
BLACK	06.06.0015	06.09.0015
PINK	06.06.0016	06.09.0016
LIGHT PINK	06.06.0017	06.09.0017
PURPLE	06.06.0018	06.09.0018
AQUAMARINE	06.06.0021	06.09.0021
NEON GREEN	06.06.0022	06.09.0022
RED	06.06.0023	06.09.0023
DARK RED	06.06.0024	06.09.0024
VIOLET	06.06.0025	06.09.0025

COR		SPOOL 1,5M	SPOOL 4,5M
■	CONTINUOS	06.05.0010	06.08.0010
	GRAY SHORT	06.06.0010	06.09.0010
	LONG	06.07.0010	06.10.0010
□	CONTINUOS	06.05.0019	06.08.0019
	CLEAR SHORT	06.06.0019	06.09.0019
	LONG	06.07.0019	06.10.0019

COLOR: UPON REQUEST

INTRA ORAL ELASTIC

PACKAGE WITH 1000



CODE	COLLOR	FORCE	MEASURE
06.01.0002	Natural	Light	1/8"
06.01.0001	Natural	Light	1/4"
06.01.0003	Natural	Light	3/16"
06.01.0004	Natural	Light	5/16"
06.01.0006	Natural	Medium	1/8"
06.01.0005	Natural	Medium	1/4"
06.01.0007	Natural	Medium	3/16"
06.01.0008	Natural	Medium	5/16"
06.01.0010	Natural	Heavy	1/8"
06.01.0009	Natural	Heavy	1/4"
06.01.0011	Natural	Heavy	3/16"
06.01.0012	Natural	Heavy	5/16"

SEPARATOR ELASTICS

PACKAGE WITH 1000

CODE
06.02.0001



ELASTIC LIGATURE - STICK TIE

PACKAGE WITH 1.008



CODE	COLOR	
06.03.0002		STICK TIE YELLOW
06.03.0033		STICK TIE NEON GREEN
06.03.0034		STICK TIE GREEN
06.03.0032		STICK TIE AQUAMARINE
06.03.0006		STICK TIE BLUE
06.03.0005		STICK TIE NAVY BLUE
06.03.0011		STICK TIE ORANGE
06.03.0035		STICK TIE RED
06.03.0024		STICK TIE FLUORESCENT PINK
06.03.0030		STICK TIE CLEAR
06.03.0007		STICK TIE WHITE
06.03.0014		STICK TIE SILVER
06.03.0009		STICK TIE GRAY
06.03.0015		STICK TIE BLACK

24 ligatures per stick tie (latex free)

COLOR: UPON REQUEST

BITE TURBO



	CODE
Bite Turbo Mini Mold Kit	03.00.9000

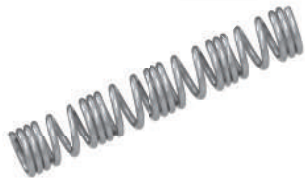
NITI SPRING

OPEN



MEASURE	CODE WITH 3
.010X.030 - 7'	07.10.2602
.012X.030 - 7'	07.10.2702
.014X.030 - 7'	07.10.2802
.014X.045 - 7'	07.10.3002

DISTALIZATION



MEASURE	ROLL SIZE WITH	CODE
.010X.045	38 cm	07.09.3107
.012X.045	38 cm	07.09.2907

CLOSED / RETRACTION



MEASURE	FORCE	SIZE	CODE WITH 4
.010X.030	Light	6 mm	07.11.4103
.010X.030	Light	9 mm	07.11.4203
.010X.030	Light	12 mm	07.11.3403
.010X.030	Light	15 mm	07.11.3503
.011X.030	Medium	6 mm	07.11.3603
.011X.030	Medium	9 mm	07.11.3703
.011X.030	Medium	12 mm	07.11.3803
.011X.030	Medium	15 mm	07.11.3903
.012X.030	Heavy	6 mm	07.11.4003
.012X.030	Heavy	9 mm	07.11.4303
.012X.030	Heavy	12 mm	07.11.3203
.012X.030	Heavy	15 mm	07.11.3303

RETRACTION FOR MINI IMPLANTS



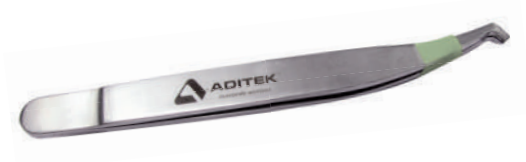
SIZE	WEIGHT / FORCE	CODE WITH 2
17mm	150 gr / Light	07.12.4409
17mm	200 gr / Medium	07.13.4409
17mm	250 gr / Heavy	07.14.4409
15mm	150 gr / Light	07.12.4509
15mm	200 gr / Medium	07.13.4509
15mm	250 gr / Heavy	07.14.4509
13mm	150 gr / Light	07.12.4609
13mm	200 gr / Medium	07.13.4609
13mm	250 gr / Heavy	07.14.4609
11mm	150 gr / Light	07.12.4709
11mm	200 gr / Medium	07.13.4709
11mm	250 gr / Heavy	07.14.4709

TWEEZER (closing instrument)



	COD
EasyClip U Tweezer	00.00.0002

*used to fully seat the archwire in the bracket slot and close the Easyclip

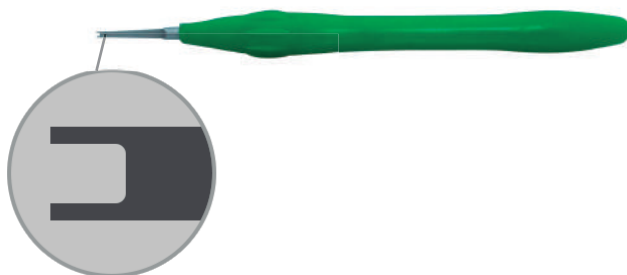


	COD
EasyClip C Tweezer	00.00.0001

EXPLORER (opening instrument)



	COD
EasyClip Explorer	00.01.0001



	COD
EasyClip+ Explorer	00.01.0002

RESIN

ULTRABOND SYRINGE PASTE (7G)



	COD
UltraBond kit (14g) Contains 02 syringe paste (7g) 01 sealant flask (12g) and 01 acid flask (12g)	02.00.0001
UltraBond syringe paste (7g)	02.00.0002
UltraBond sealant flask (12g)	02.00.0003
UltraBond acid flask (12g)	02.00.0004

LIGHTBOND (LIGHT CURE)



	COD
LightBond kit (20g) Contains 04 syringe paste (5g), 01 sealant flask (8g) and 01 acid syringe (12g)	02.00.0005
LightBond kit (10g) Contains 02 syringe paste (5g), 01 sealant flask (8g) and 01 acid syringe (12g)	02.00.0006
LightBond syringe paste (5g)	02.00.0007
LightBond sealant flask (8g)	02.00.0008
LightBond acid flask (12g)	02.00.0009

BAND CEMENT

GLASSION (GLASS IONOMER)



	COD
Glassion Cement Kit (50g) Contain 01 powder (50g) and 01 liquid (45g)	02.01.0001
Powder Glassion (50g)	02.01.0002
Liquid Glassion (45g)	02.01.0003



Laser marking bands with stable format allowing several tests.

Anatomical format facilitates the adaptation and micro blasted interior provides a precise adaptation.

- Anatomical contour
- Surgical stainless steel
- External mirrored extern finishing and micro blasted interior
- Balance between hardness and malleability
- Available in 32 sizes



Bands Kit

- with 80 pieces
- with 160 pieces
- with 300 pieces
- with 600 pieces

UPPER RIGHT QUADRANT

SIZE	CODE	TOOTH	QTY
29	04.01.1290	16 - UR6	10
29,5	04.01.1295	17 - UR7	10
30	04.01.1300	16 - UR6	10
30,5	04.01.1305	17 - UR7	10
31	04.01.1310	16 - UR6	10
31,5	04.01.1315	17 - UR7	10
32	04.01.1320	16 - UR6	10
32,5	04.01.1325	17 - UR7	10
33	04.01.1330	16 - UR6	10
33,5	04.01.1335	17 - UR7	10
34	04.01.1340	16 - UR6	10
34,5	04.01.1345	17 - UR7	10
35	04.01.1350	16 - UR6	10
35,5	04.01.1355	17 - UR7	10
36	04.01.1360	16 - UR6	10
36,5	04.01.1365	17 - UR7	10
37	04.01.1370	16 - UR6	10
37,5	04.01.1375	17 - UR7	10
38	04.01.1380	16 - UR6	10
38,5	04.01.1385	17 - UR7	10
39	04.01.1390	16 - UR6	10
39,5	04.01.1395	17 - UR7	10
40	04.01.1400	16 - UR6	10
40,5	04.01.1405	17 - UR7	10
41	04.01.1410	16 - UR6	10
41,5	04.01.1415	17 - UR7	10
42	04.01.1420	16 - UR6	10
42,5	04.01.1425	17 - UR7	10
43	04.01.1430	16 - UR6	10
43,5	04.01.1435	17 - UR7	10
44	04.01.1440	16 - UR6	10

UPPER LEFT QUADRANT

SIZE	CODE	TOOTH	QTY
29	04.01.2290	26 - UL6	10
29,5	04.01.2295	27 - UL7	10
30	04.01.2300	26 - UL6	10
30,5	04.01.2305	27 - UL7	10
31	04.01.2310	26 - UL6	10
31,5	04.01.2315	27 - UL7	10
32	04.01.2320	26 - UL6	10
32,5	04.01.2325	27 - UL7	10
33	04.01.2330	26 - UL6	10
33,5	04.01.2335	27 - UL7	10
34	04.01.2340	26 - UL6	10
34,5	04.01.2345	27 - UL7	10
35	04.01.2350	26 - UL6	10
35,5	04.01.2355	27 - UL7	10
36	04.01.2360	26 - UL6	10
36,5	04.01.2365	27 - UL7	10
37	04.01.2370	26 - UL6	10
37,5	04.01.2375	27 - UL7	10
38	04.01.2380	26 - UL6	10
38,5	04.01.2385	27 - UL7	10
39	04.01.2390	26 - UL6	10
39,5	04.01.2395	27 - UL7	10
40	04.01.2400	26 - UL6	10
40,5	04.01.2405	27 - UL7	10
41	04.01.2410	26 - UL6	10
41,5	04.01.2415	27 - UL7	10
42	04.01.2420	26 - UL6	10
42,5	04.01.2425	27 - UL7	10
43	04.01.2430	26 - UL6	10
43,5	04.01.2435	27 - UL7	10
44	04.01.2440	26 - UL6	10

LOWER RIGHT QUADRANT

SIZE	CODE	TOOTH	QTY
29	04.01.4290	46 - LR6	10
29,5	04.01.4295	47 - LR7	10
30	04.01.4300	46 - LR6	10
30,5	04.01.4305	47 - LR7	10
31	04.01.4310	46 - LR6	10
31,5	04.01.4315	47 - LR7	10
32	04.01.4320	46 - LR6	10
32,5	04.01.4325	47 - LR7	10
33	04.01.4330	46 - LR6	10
33,5	04.01.4335	47 - LR7	10
34	04.01.4340	46 - LR6	10
34,5	04.01.4345	47 - LR7	10
35	04.01.4350	46 - LR6	10
35,5	04.01.4355	47 - LR7	10
36	04.01.4360	46 - LR6	10
36,5	04.01.4365	47 - LR7	10
37	04.01.4370	46 - LR6	10
37,5	04.01.4375	47 - LR7	10
38	04.01.4380	46 - LR6	10
38,5	04.01.4385	47 - LR7	10
39	04.01.4390	46 - LR6	10
39,5	04.01.4395	47 - LR7	10
40	04.01.4400	46 - LR6	10
40,5	04.01.4405	47 - LR7	10
41	04.01.4410	46 - LR6	10
41,5	04.01.4415	47 - LR7	10
42	04.01.4420	46 - LR6	10
42,5	04.01.4425	47 - LR7	10
43	04.01.4430	46 - LR6	10
43,5	04.01.4435	47 - LR7	10
44	04.01.4440	46 - LR6	10

LOWER LEFT QUADRANT

SIZE	CODE	TOOTH	QTY
29	04.01.3290	36 - LL6	10
29,5	04.01.3295	36 - LL7	10
30	04.01.3300	36 - LL6	10
30,5	04.01.3305	36 - LL7	10
31	04.01.3310	36 - LL6	10
31,5	04.01.3315	36 - LL7	10
32	04.01.3320	36 - LL6	10
32,5	04.01.3325	36 - LL7	10
33	04.01.3330	36 - LL6	10
33,5	04.01.3335	36 - LL7	10
34	04.01.3340	36 - LL6	10
34,5	04.01.3345	36 - LL7	10
35	04.01.3350	36 - LL6	10
35,5	04.01.3355	36 - LL7	10
36	04.01.3360	36 - LL6	10
36,5	04.01.3365	36 - LL7	10
37	04.01.3370	36 - LL6	10
37,5	04.01.3375	36 - LL7	10
38	04.01.3380	36 - LL6	10
38,5	04.01.3385	36 - LL7	10
39	04.01.3390	36 - LL6	10
39,5	04.01.3395	36 - LL7	10
40	04.01.3400	36 - LL6	10
40,5	04.01.3405	36 - LL7	10
41	04.01.3410	36 - LL6	10
41,5	04.01.3415	36 - LL7	10
42	04.01.3420	36 - LL6	10
42,5	04.01.3425	36 - LL7	10
43	04.01.3430	36 - LL6	10
43,5	04.01.3435	36 - LL7	10
44	04.01.3440	36 - LL6	10



ADITEK USA

contact@aditekortho.com

1-877 889 6913

ADITEK DO BRASIL

Rua Cesário Motta, 14
14140-000 – Cravinhos – SP

+55 16 3951-9355

aditekortho.com